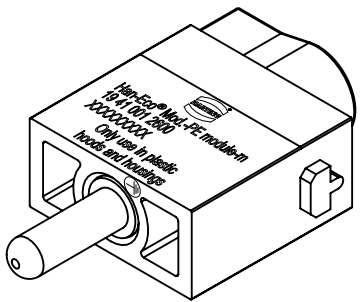
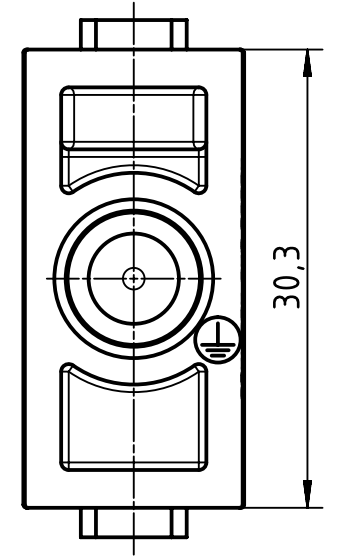
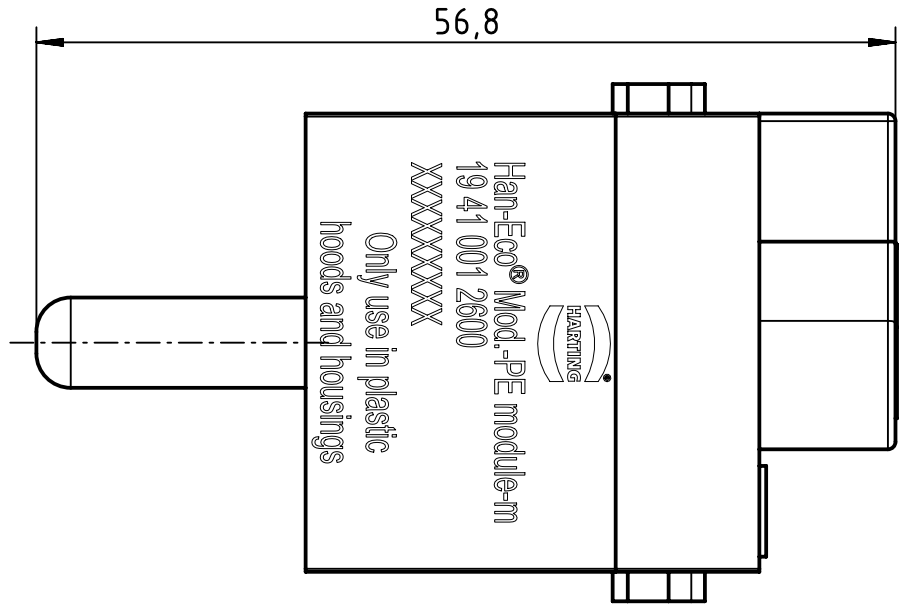
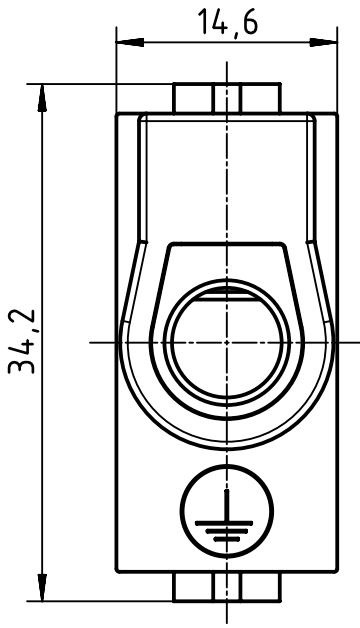


1 2 3 4 5 6

A
B
C
D



	All Dimensions in mm Original Size DIN A4	Scale	Free size tol.		Ref.	
		2:1			Sub.	
	All rights reserved Department EL PD	Created by	Inspected by	Standardisation	Date	State
		100887	RIEPE	302077	2021-01-25	Final Release
Title Han-Eco Mod.-PE module-m 16-6 AWG					Doc-Key / ECM-Nr. 100186331/UGD/005/G 500000187505	
HARTING D-32339 Espelkamp		Type	Number		Rev.	Page
		TB	19 41 001 2600		G	1/1