

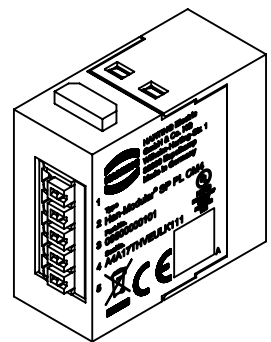
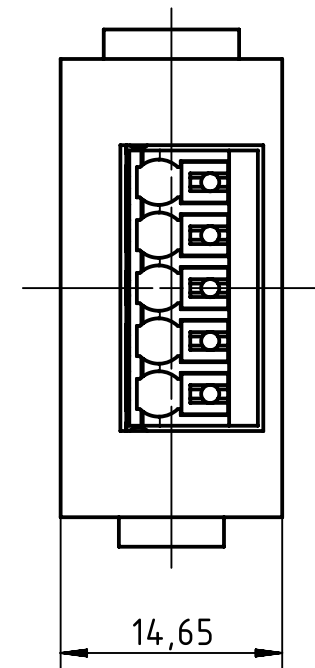
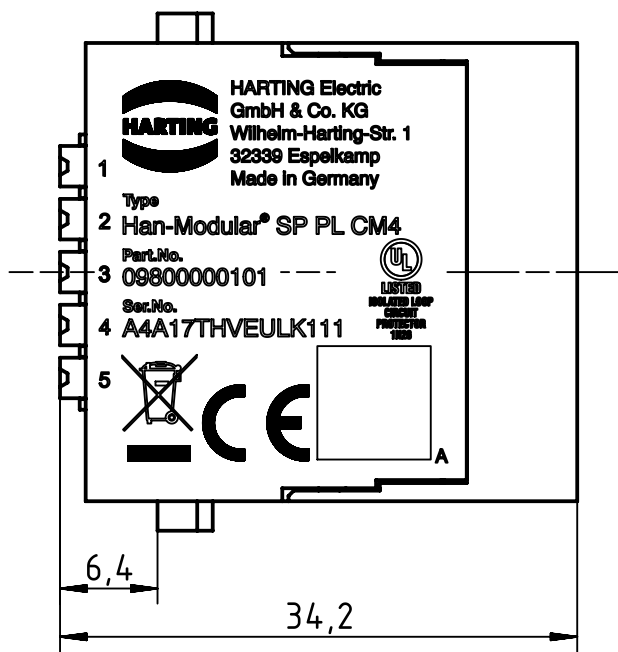
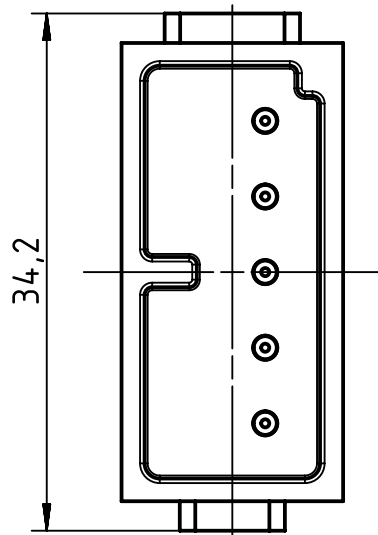
1 2 3 4 5 6

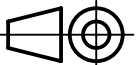

A

B

C

D



| | | | | | | | | |
|---|---|--|--------------|--------------------------------|--------------------------|----------------------------|--|------------------------|
|  | All Dimensions in mm Original Size DIN A4 | | Scale 2:1 | Free size tol. | | Ref. Sub. | | |
| |  | All rights reserved Department EL PD - DE | | Created by MOELLERLI | Inspected by BEISCHER | Standardisation RUETERA | Date 2018-01-19 | State Final Release |
| HARTING Electric GmbH & Co. KG D-32339 Espelkamp | | | | Title Han-Modular SP PL CM4 | | | Doc-Key / ECM-Nr. 100714777/UGD/001/E 500000130219 | |
| | | | | Type TB | Number 09 80 000 0101 | | Rev. E | Page 1/1 |