

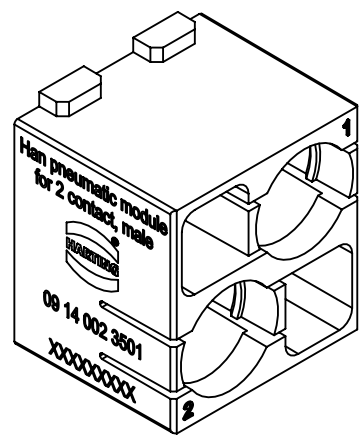
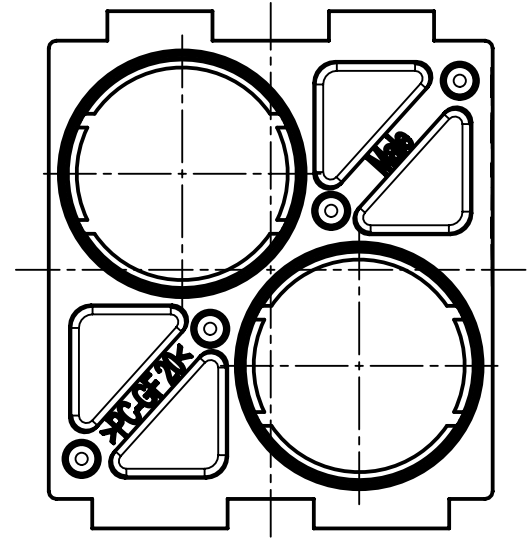
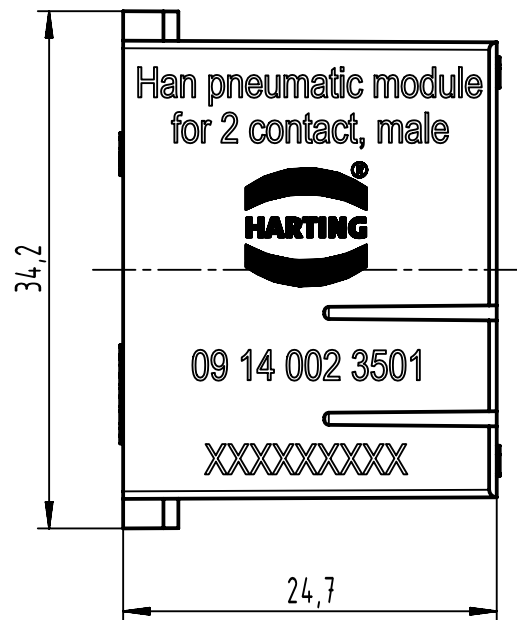
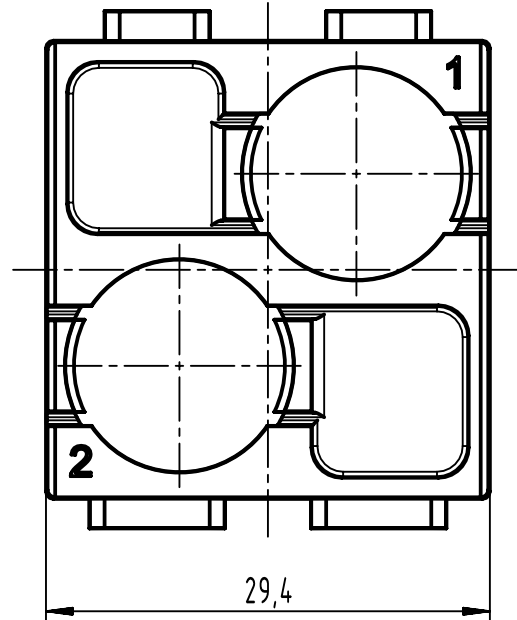
1 2 3 4 5 6

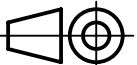

A

B

C

D



 All Dimensions in mm Original Size DIN A4	Scale 2:1	Free size tol.		Ref.		
	 All rights reserved Department EL PD		Created by HEW	Inspected by WANGSTE	Standardisation 302077	Date 2021-01-12
HARTING Electric GmbH & Co. KG D-32339 Espelkamp		Title Han pneumatic module for 2 contact, male			Doc-Key / ECM-Nr. 100926801/UGD/001/A 500000186830	
		Type TB	Number 09 14 002 3501		Rev. A	Page 1/1