

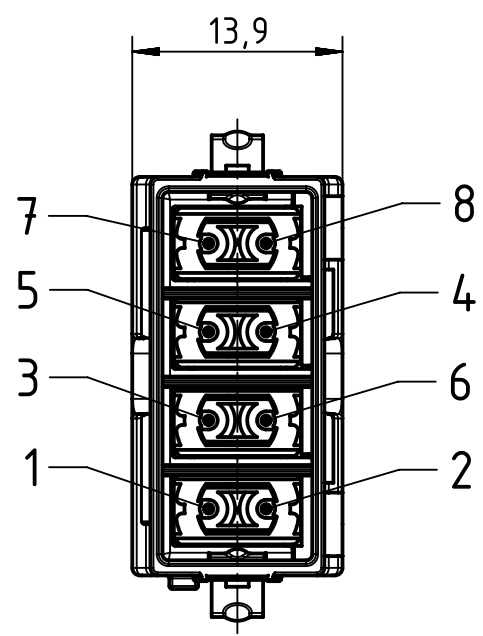
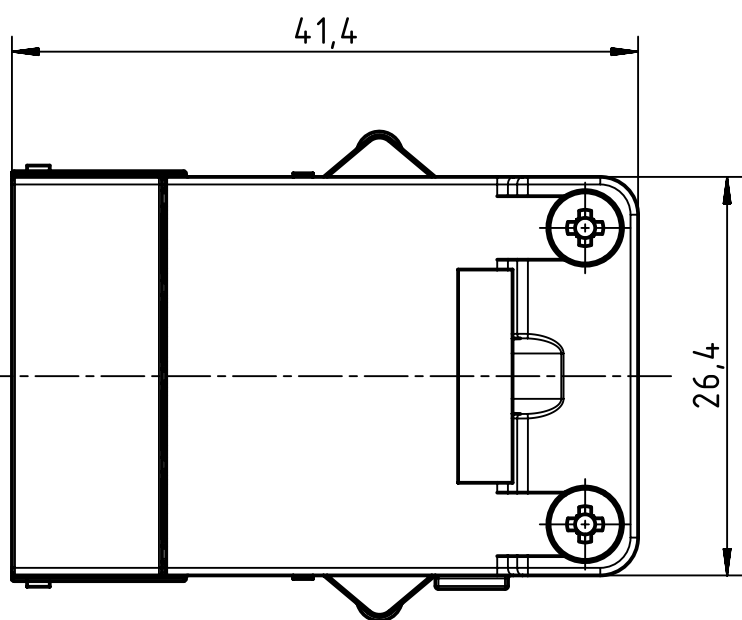
1 2 3 4 5 6

A

B

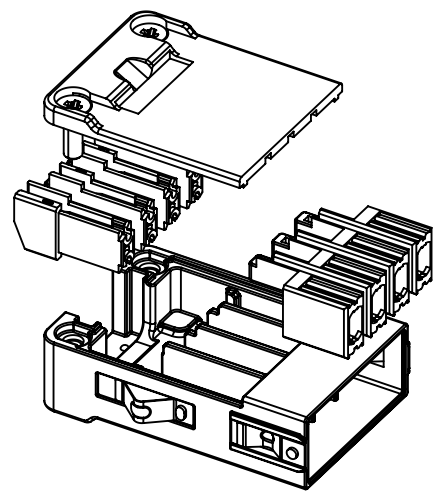
C

D



wiring acc. EIA/TIA 568A
view from termination side

brown	8 ●	● 7	brown/white
blue	4 ●	● 5	blue/white
orange	6 ●	● 3	orange/white
green	2 ●	● 1	green/white



Kind of delivery: piece parts

	All Dimensions in mm Original Size DIN A4	Scale 2:1	Free size tol.	Ref.
	All rights reserved Department EL PD - DE	Created by RULLKOETTER	Inspected by GERB	Standardisation RUETERA
HARTING Electric GmbH & Co. KG D-32339 Espelkamp	Title Han Gigabit HMC insert male (shield-GND)	Date 2018-07-24	State Final Release	Doc-Key / ECM-Nr. 100642778/UGD/007/B 500000137874
	Type TB	Number 09 14 208 3012	Rev. B	Page 1/1