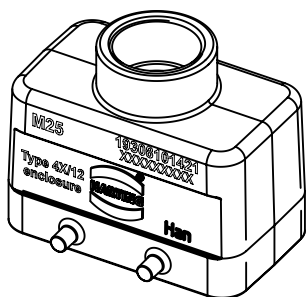
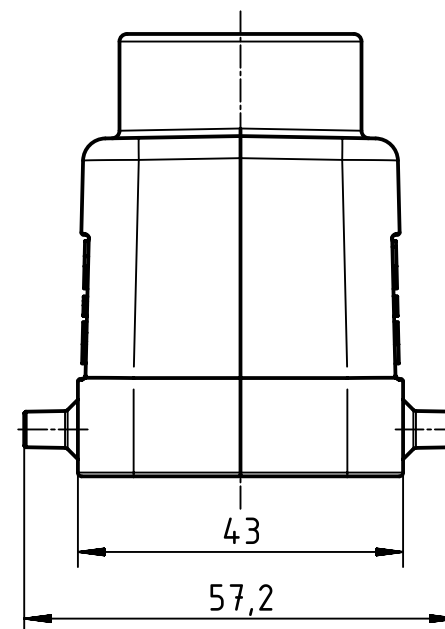
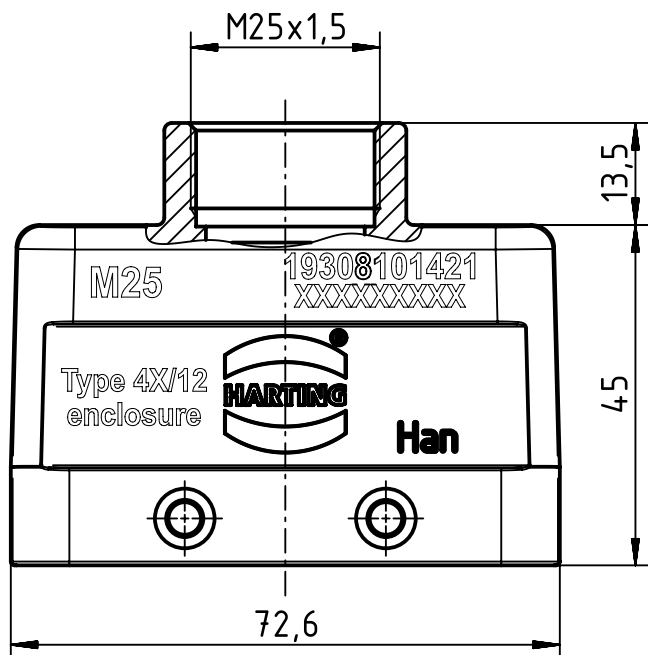


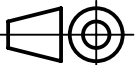

A

B

C

D



 All Dimensions in mm Original Size DIN A4	Scale	Free size tol.		Ref.	
	1:1			Sub.	
 All rights reserved Department EL PD	Created by	Inspected by	Standardisation	Date	State
	HELLMANN	GERB	RUETERA	2019-12-02	Final Release
HARTING Electric GmbH & Co. KG D-32339 Espelkamp	Title			Doc-Key / ECM-Nr.	
	Han 10B-HTE-LC-M25-DL- matt black			100775599/UGD/002/C 500000161508	
Type		Number		Rev.	Page
TB		19 30 810 1421		C	1/1