

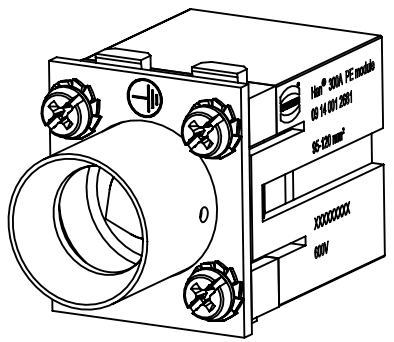
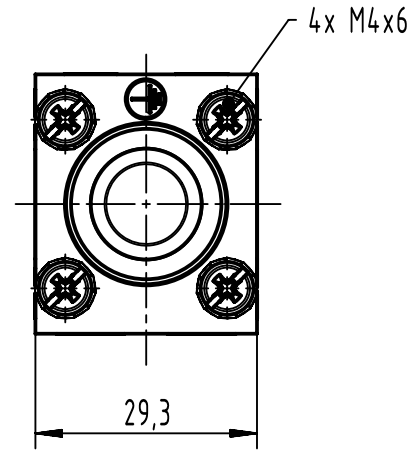
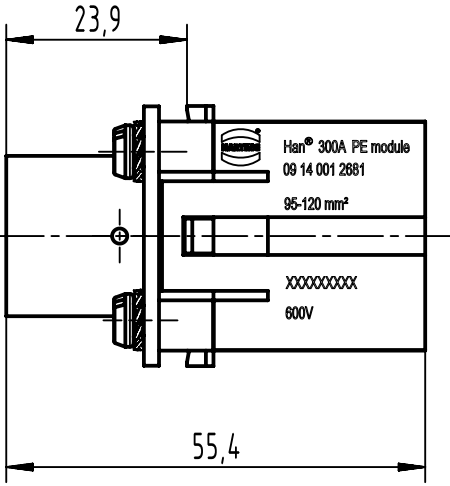
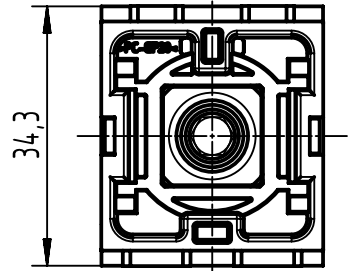
1 2 3 4 5 6

A

B

C

D



| | | | | | | | |
|------------------------------|--|------------|--|---------------------------|-----------------------------|--|------------------------|
| | All Dimensions in mm Original Size DIN A4 | | Scale 1:1 | Free size tol. | | Ref. | |
| | | | | | | Sub. | |
| | All rights reserved | | Created by SPRENB | Inspected by SCHNIEDER | Standardisation SAP_WFRT | Date 2022-06-08 | State Final Release |
| | Department EL PD | | Title Han 300A PE axial module 95-120mm ² male | | | Doc-Key / ECM-Nr. 100892028/UGD/001/D 500000218737 | |
| HARTING D-32339 Espelkamp | | Type TB | Number 09 14 001 2681 | | | Rev. D | Page 1/1 |