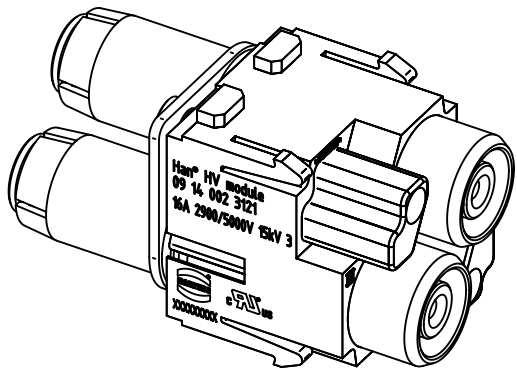
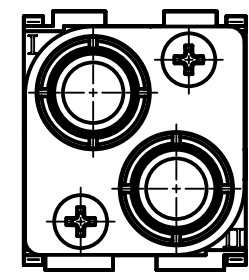
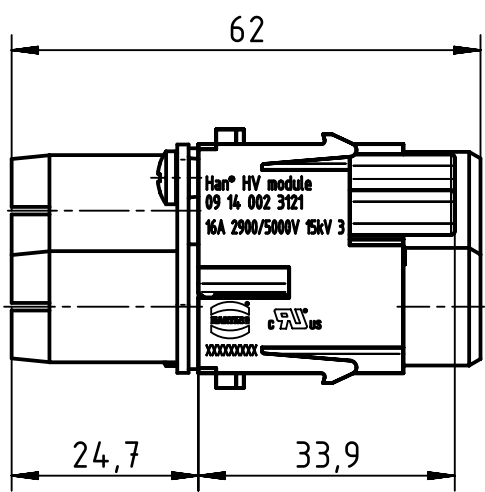
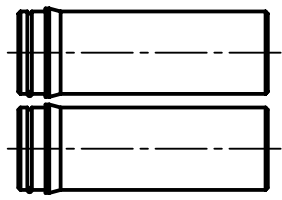
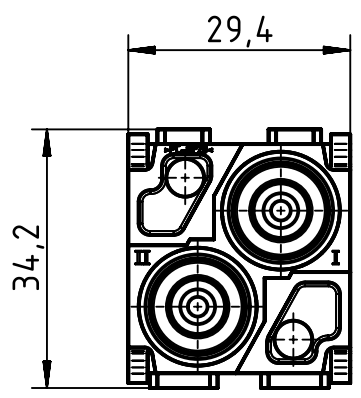


A

B

C

D



2x heat shrink tubes are enclosed separately

	All Dimensions in mm Original Size DIN A4	Scale 1:1		Free size tol.		Ref.	
						Sub. 09 14 002 3121 v. 07.10.09	
	All rights reserved Department EL PD	Created by RULLKOETTER	Inspected by SCHNIEDER	Standardisation TIEMANNA	Date 2016-03-10	State Final Release	
		Title Han HV module, 16A 5000V female					Doc-Key / ECM-Nr. 100132780/UGD/007/A 500000097568
HARTING Electric GmbH & Co. KG D-32339 Espelkamp		Type TB	Number 09 14 002 3121			Rev. A	Page 1/1