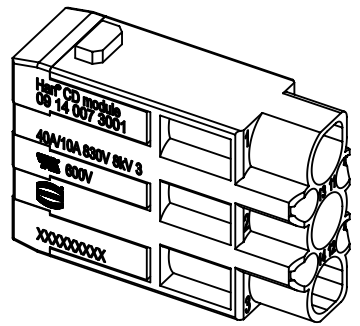
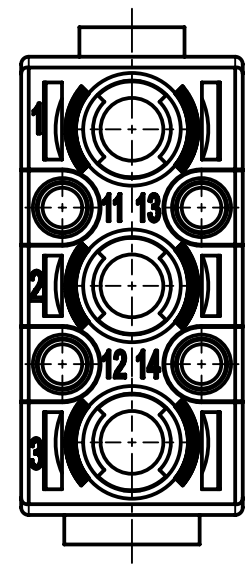
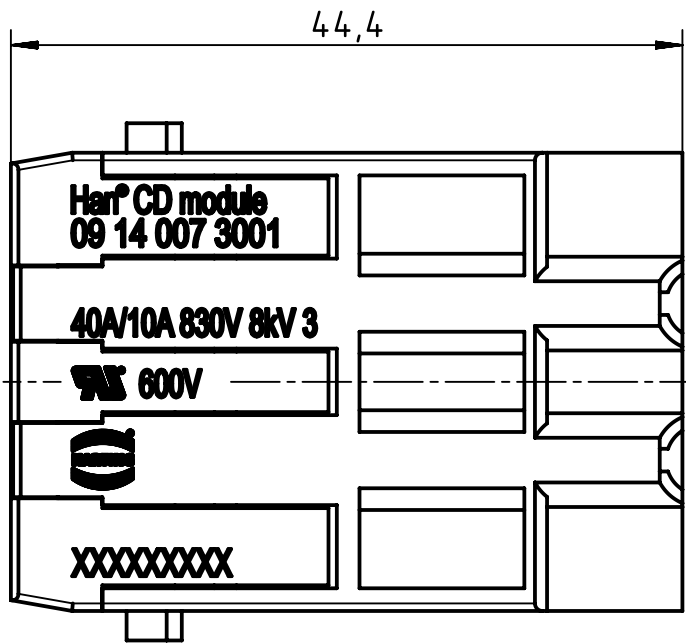
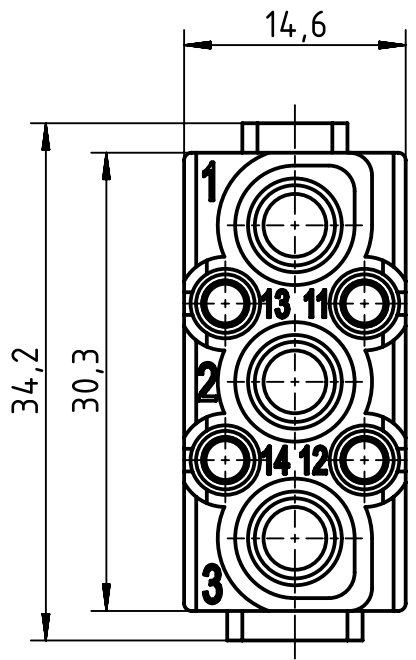


A

B

C

D



	All Dimensions in mm Original Size DIN A4		Scale 2:1	Free size tol.		Ref.
			Created by FINKEV	Inspected by RIEPE	Standardisation TIEMANNA	Sub.
		All rights reserved Department EL PD	Date 2020-01-31		State Final Release	
		HARTING Electric GmbH & Co. KG D-32339 Espelkamp	Title Han CD module, crimp male			Doc-Key / ECM-Nr. 100086520/UGD/010/B 500000165845
		Type TB	Number 09 14 007 3001		Rev. B	Page 1/1