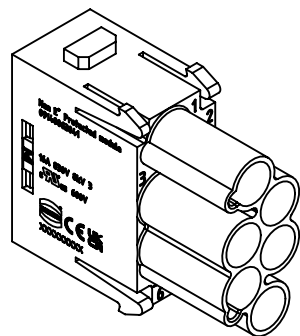
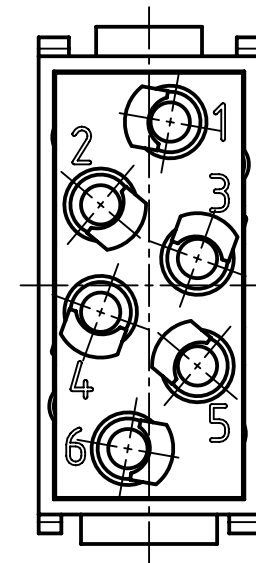
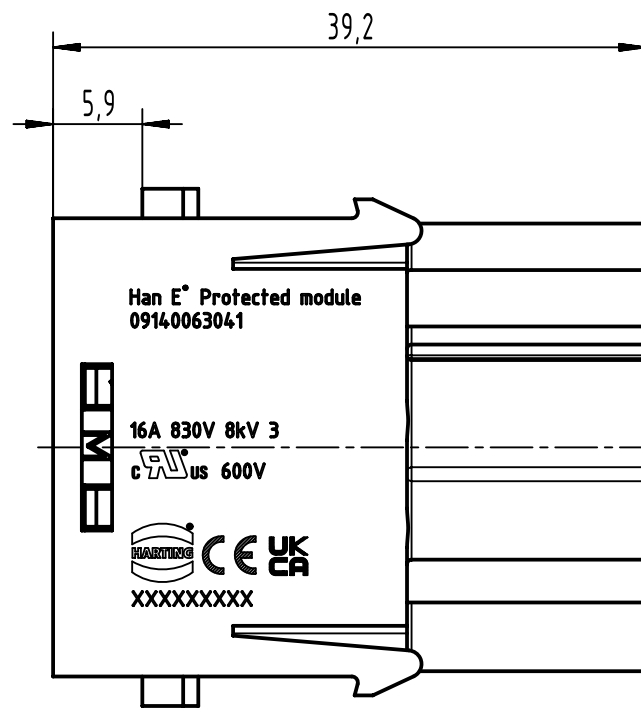
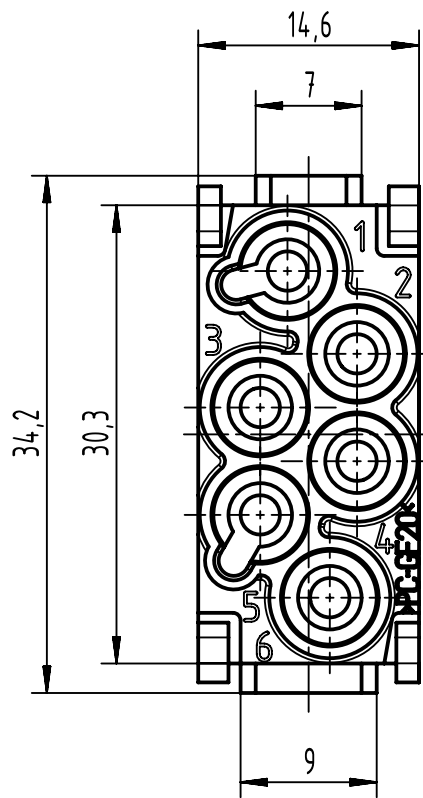


1 2 3 4 5 6

A
B
C
D



	All Dimensions in mm Original Size DIN A4		Scale 2:1	Free size tol.		Ref.
						Sub.
	All rights reserved		Created by MEYERLE	Inspected by SUNDERMEIER	Standardisation SAP_WFRT	Date 2022-10-19
	Department EL PD		Title Han E Protected module, crimp male			State Final Release
HARTING D-32339 Espelkamp			Type TB	Number 09 14 006 3041		Doc-Key / ECM-Nr. 100121636/UGD/011/B 500000227885
					Rev. B	Page 1/1