

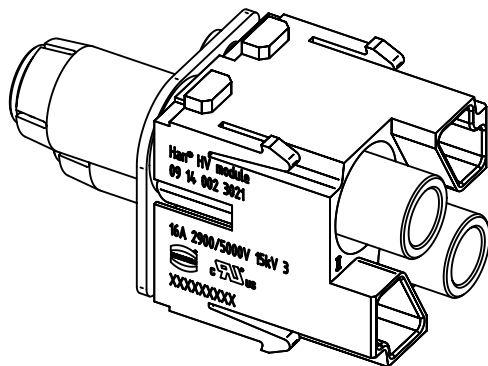
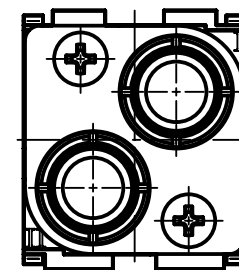
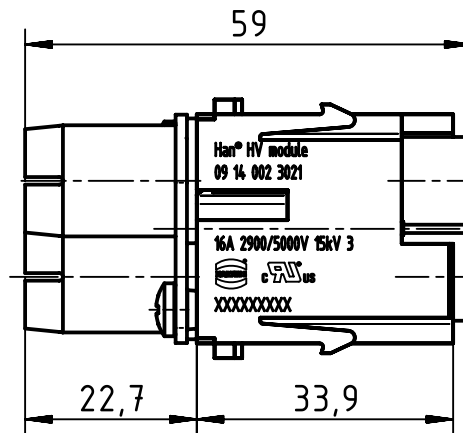
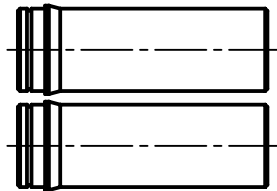
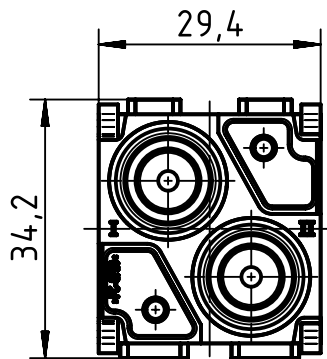
1 2 3 4 5 6

A

B

C

D



2x heat shrink tubes are enclosed separately

	All Dimensions in mm Original Size DIN A4		Scale 1:1	Free size tol.		Ref. Sub. TB 09 14 002 3021 v. 07.10.09	
		All rights reserved Department EL PD - DE	Created by RULLKOETTER	Inspected by BERGHORN	Standardisation TIEMANNA	Date 2016-08-22	State Final Release
Title Han HV module, 16A 5000V male					Doc-Key / ECM-Nr. 100132773/UGD/008/B 500000107934		
HARTING Electric GmbH & Co. KG D-32339 Espelkamp			Type TB	Number 09 14 002 3021		Rev. B	Page 1/1