

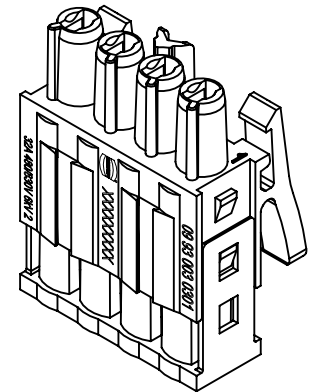
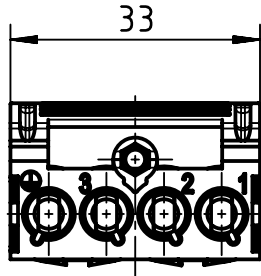
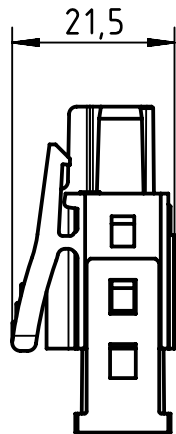
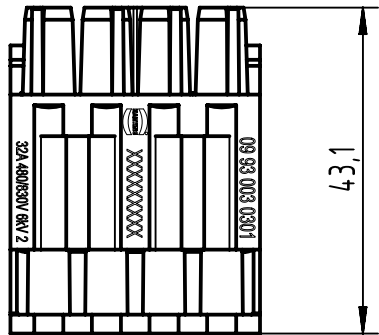
1 2 3 4 5 6


A

B

C

D



	All rights reserved Department EL PD	Created by MOELLERLI		Inspected by KLIEVER		Standardisation 302077		Date 2021-03-15		State Final Release	
		Title Han® Board PCB 3+PE lever 7, 62 Crimp								Doc-Key / ECM-Nr. 100842708/UGD/001/C 500000191060	
HARTING D-32339 Espelkamp		Type TB		Number 09 93 003 0301				Rev. C		Page 1/1	