

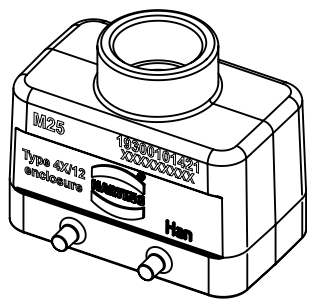
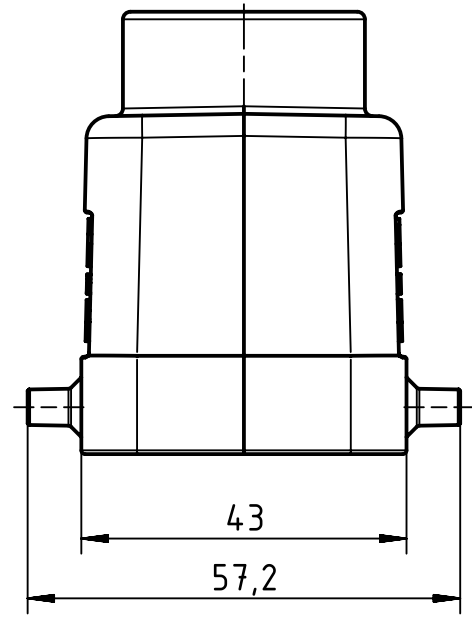
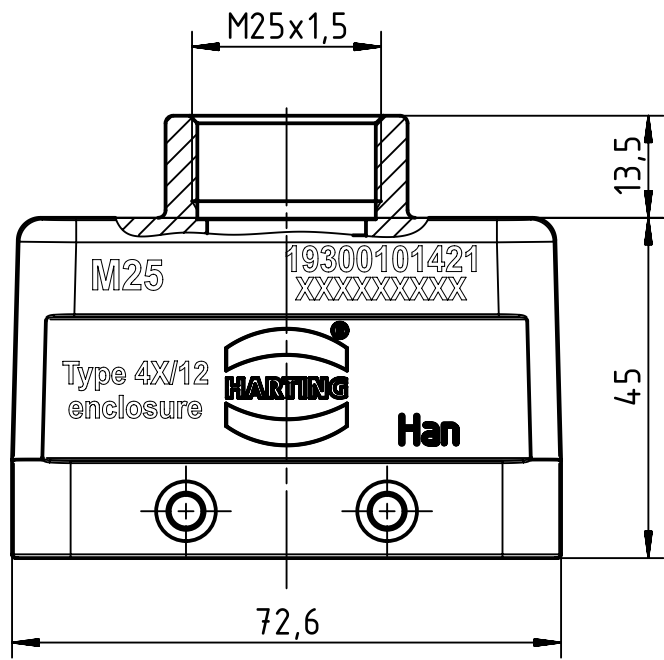
1 2 3 4 5 6

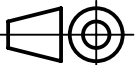

A

B

C

D



 All Dimensions in mm Original Size DIN A4	Scale	Free size tol.		Ref.	
	1:1			Sub.	
 All rights reserved Department EL PD	Created by	Inspected by	Standardisation	Date	State
	HELLMANN	GERB	RUETERA	2019-12-02	Final Release
HARTING Electric GmbH & Co. KG D-32339 Espelkamp	Title			Doc-Key / ECM-Nr.	
	Han 10B-HTE-LC-4 Pegs-M25			100192235/UGD/004/D 500000161508	
Type		Number		Rev.	Page
TB		19 30 010 1421		D	1/1