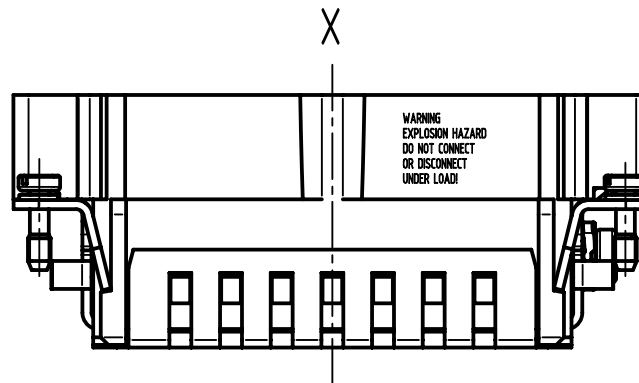
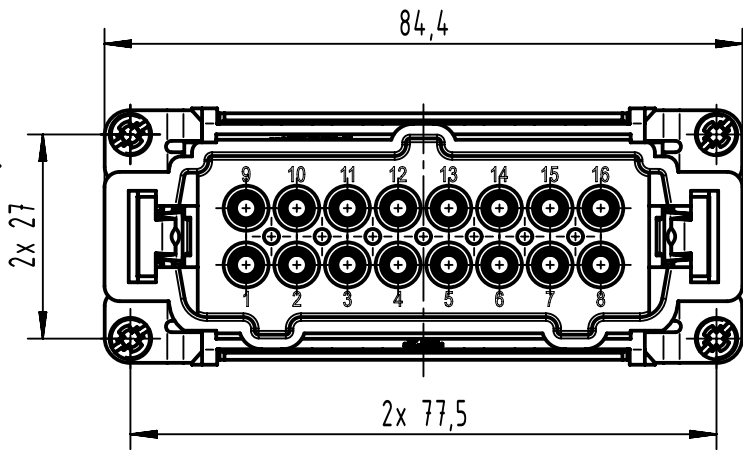
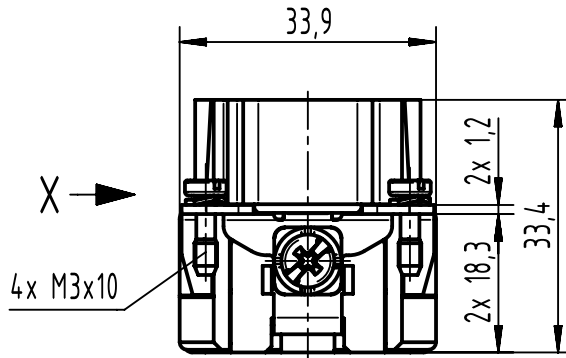
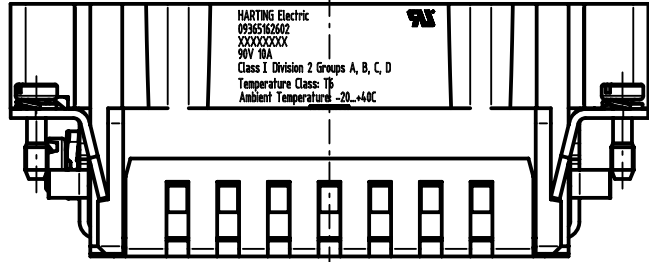
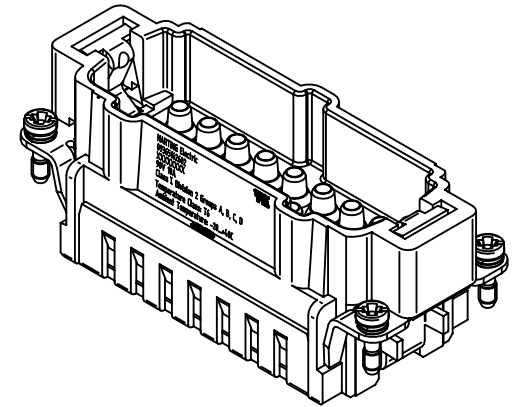


FOR USE WITH HAN 16E CRIMP: AWG 14, 16
 FOR USE WITH Cable Type:
 PLTC, PLTC-ER, ITC, ITC-ER, MC, MV, AND TC
 FOR USE IN CLASS I, DIVISION 2 GROUPS A, B, C AND D
 HAZARDOUS LOCATIONS OR UNCLASSIFIED LOCATIONS

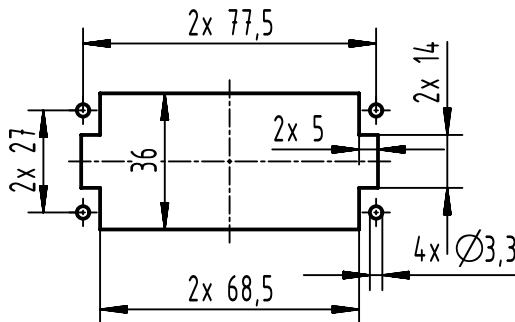


THE INSTALLATION MUST BE IN ACCORDANCE WITH THE ASSOCIATED LOCATION RESTRICTIONS OF THE NATIONAL ELECTRIC CODE OR CANADIAN ELECTRICAL CODE AS APPLICABLE, INCLUDING ISSUES SUCH AS THE ROUTING, SUPPORT AND LENGTH OF THE INVOLVED CORD OR CABLE.

WARNING
 EXPLOSION HAZARD
 DO NOT CONNECT
 OR DISCONNECT
 UNDER LOAD!



panel cut out (1:2)



	All Dimensions in mm Original Size DIN A4	Scale 1:1	Free size tol.		Ref.	
	All rights reserved Department EL PD	Created by HELLMANN	Inspected by SCHNIEDER	Standardisation	Date 2023-01-24	State Final Release
HARTING D-32339 Espelkamp		Title Han 16Ex-UL-M-C			Doc-Key / ECM-Nr. 100669626/UGD/001/E 500000235316	
		Type TB	Number 09 36 516 2602		Rev. E	Page 1/1