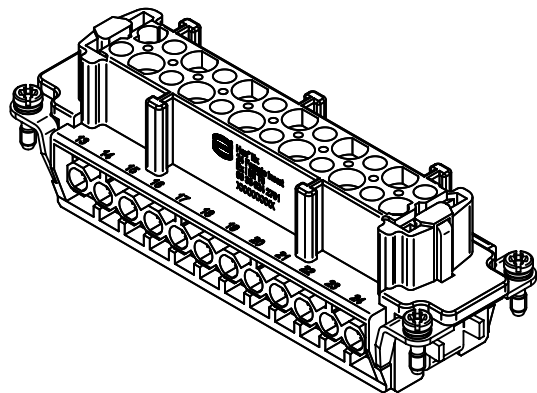
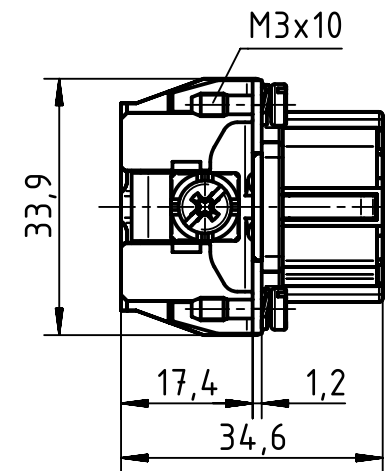
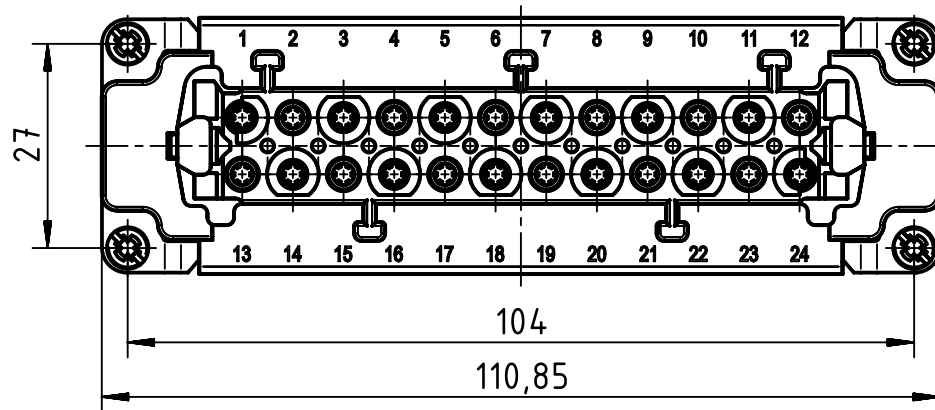
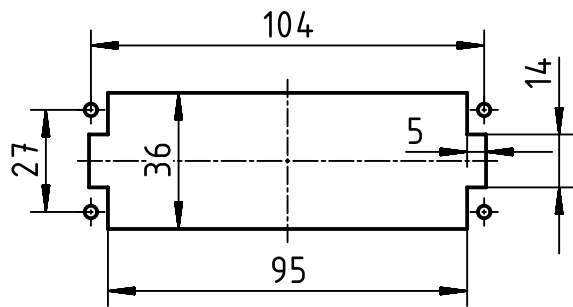


panel cut out (1:2)



	All rights reserved Department EL PD - DE	All Dimensions in mm Original Size DIN A4			Scale 1:1	Free size tol.	Ref.
		HARTING Electric GmbH & Co. KG D-32339 Espelkamp	Created by HOLLERT	Inspected by RIEPE	Standardisation TIEMANNA	Date 2017-09-11	State Final Release
Title Han 24Ex-F-s							Doc-Key / ECM-Nr. 100620394/UGD/001/B 500000125069
Type TB					Number 09 36 024 2701		Rev. B
							Page 1/1