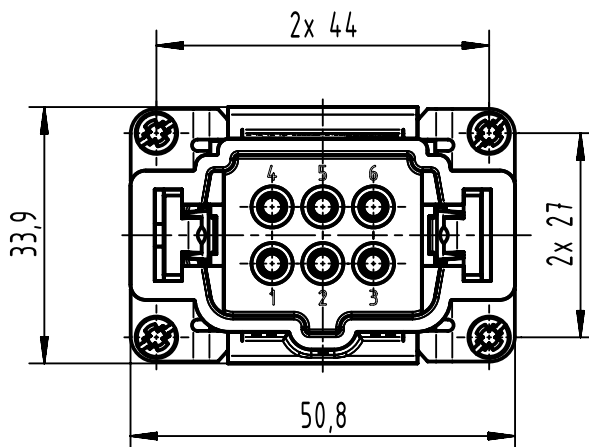
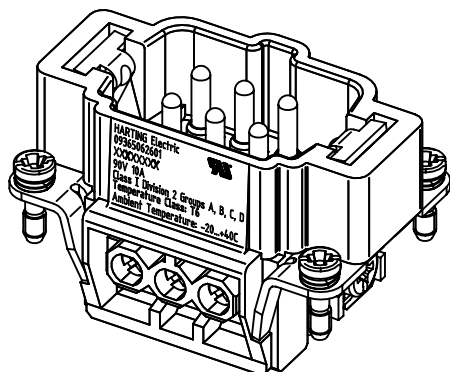
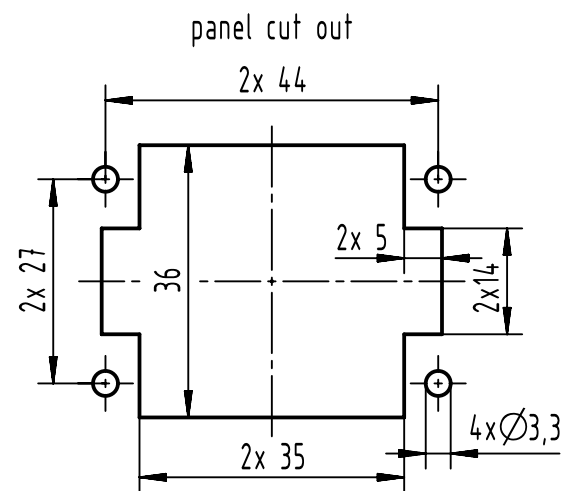


FOR USE WITH HAN 6E SCREW: AWG 14
 FOR USE WITH Cable Type:
 PLTC, PLTC-ER, ITC, ITC-ER, MC, MV, AND TC
 FOR USE IN CLASS I, DIVISION 2 GROUPS A, B, C AND D
 HAZARDOUS LOCATIONS OR UNCLASSIFIED LOCATIONS



THE INSTALLATION MUST BE IN ACCORDANCE WITH THE ASSOCIATED LOCATION RESTRICTIONS OF THE NATIONAL ELECTRIC CODE OR CANADIAN ELECTRICAL CODE AS APPLICABLE, INCLUDING ISSUES SUCH AS THE ROUTING, SUPPORT AND LENGTH OF THE INVOLVED CORD OR CABLE.

WARNING
 EXPLOSION HAZARD
 DO NOT CONNECT
 OR DISCONNECT
 UNDER LOAD!



	All Dimensions in mm Original Size DIN A4		Scale 1:1	Free size tol.		Ref.
			Created by HELLMANN	Inspected by SCHNIEDER	Standardisation SAP_WFRT	Sub.
All rights reserved		Date 2022-06-03		State Final Release		Doc-Key / ECM-Nr. 100669622/UGD/002/D 500000218293
Department EL PD		Title Han 6Ex UL-M-S		Rev. D		
HARTING D-32339 Espelkamp		Type TB	Number 09 36 506 2601		Page 1/1	