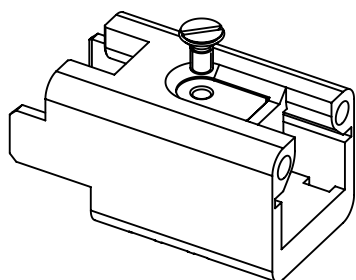
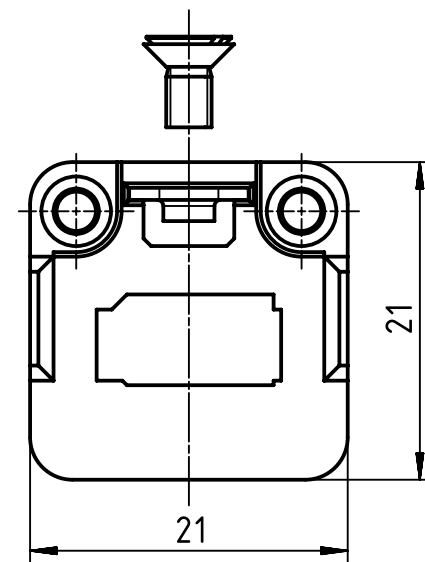
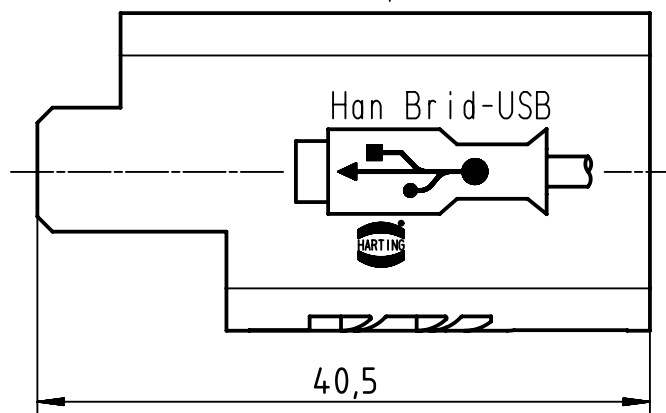
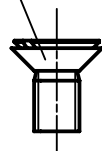


1 2 3 4 5 6

A  
B  
C  
D

M3 screw  
enclosed separately



	All Dimensions in mm Original Size DIN A4		Scale 2:1	Free size tol.		Ref. Sub. TB 09 12 001 3091 v. 21.02.06	
		All rights reserved	Created by SPRENB	Inspected by RIEPE	Standardisation GARSKE	Date 2019-05-15	State Final Release
Department EL PD		Title Han Brid-USB-M Patchkabel				Doc-Key / ECM-Nr. 100102359/UGD/007/A 500000151709	
HARTING Electric GmbH & Co. KG D-32339 Espelkamp		Type TB	Number 09 12 001 3091			Rev. A	Page 1/1