

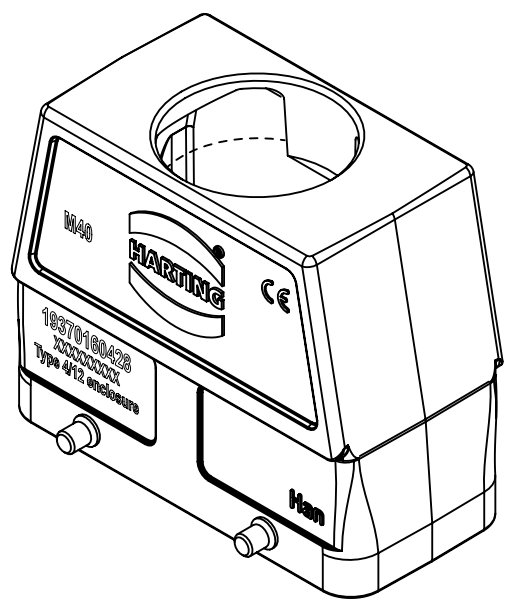
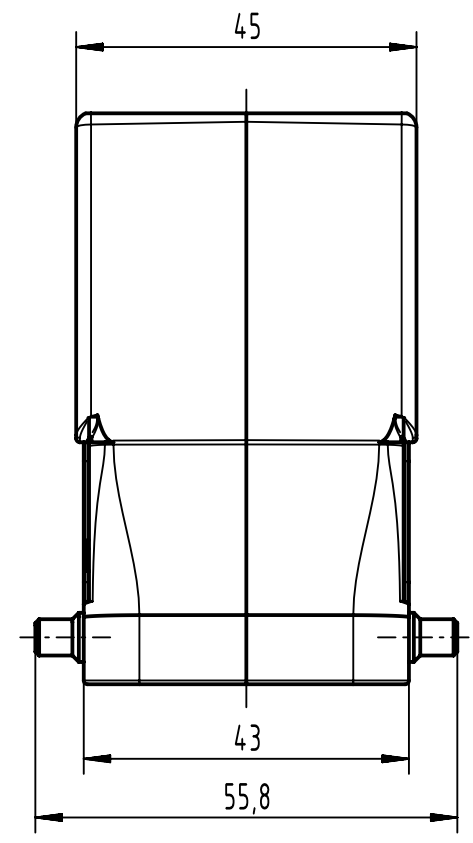
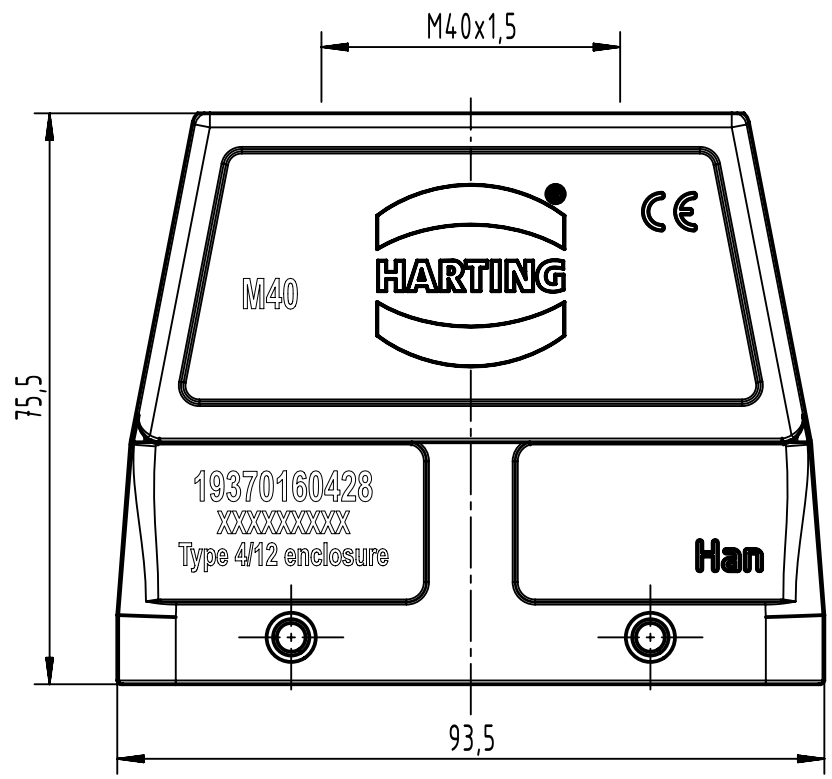
1 2 3 4 5 6

A

B

C

D



	All Dimensions in mm Original Size DIN A4		Scale 1:1	Free size tol.		Ref. Sub. TB 19 37 016 0428 v. 25.07.07		
		All rights reserved Department EL PD		Created by HOLLERT	Inspected by GERB	Standardisation 302077	Date 2020-11-05	State Final Release
HARTING Electric GmbH & Co. KG D-32339 Espelkamp				Title Han M Hood Top Entry HC 4 Pegs M40			Doc-Key / ECM-Nr. 100222083/UGD/002/D 500000180449	
				Type TB	Number 19 37 016 0428		Rev. D	Page 1/1