

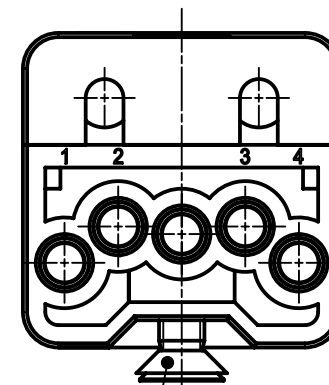
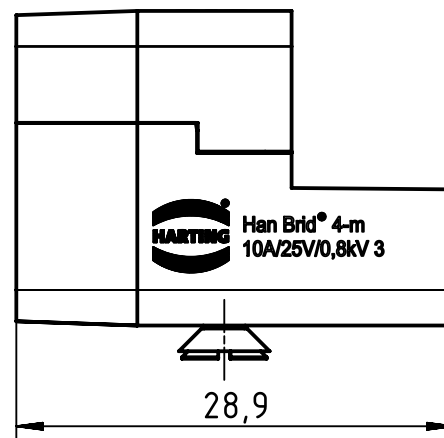
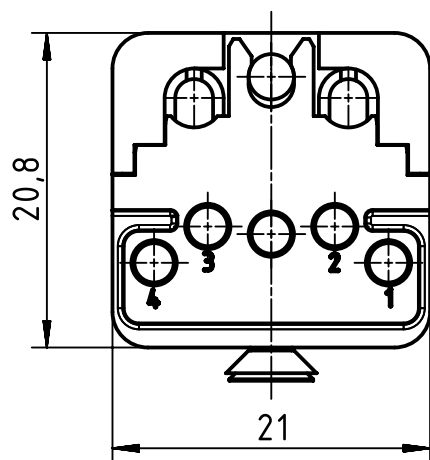
1 2 3 4 5 6

A

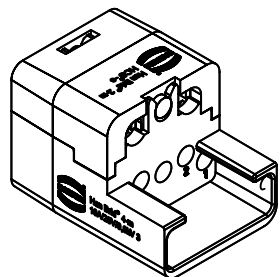
B

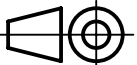

C

D



countersunk screw M3x6
enclosed separately



 All Dimensions in mm Original Size DIN A4	Scale	Free size tol.			Ref.
	2:1				Sub.
 All rights reserved Department EL PD - DE	Created by	Inspected by	Standardisation	Date	State
	RULLKOETTER	RIEPE	RUETERA	2017-10-04	Final Release
HARTING Electric GmbH & Co. KG D-32339 Espelkamp	Title				Doc-Key / ECM-Nr.
	Han 4Brid-M-c + 2LWL-M-HCS-Halt.-c (K)				100205825/UGD/004/A 500000126086
Type	Number	Rev.	Page		
TB	09 12 004 3006	A	1/1		