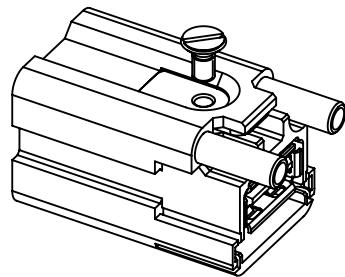
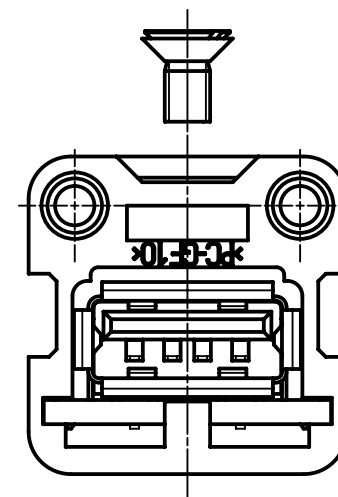
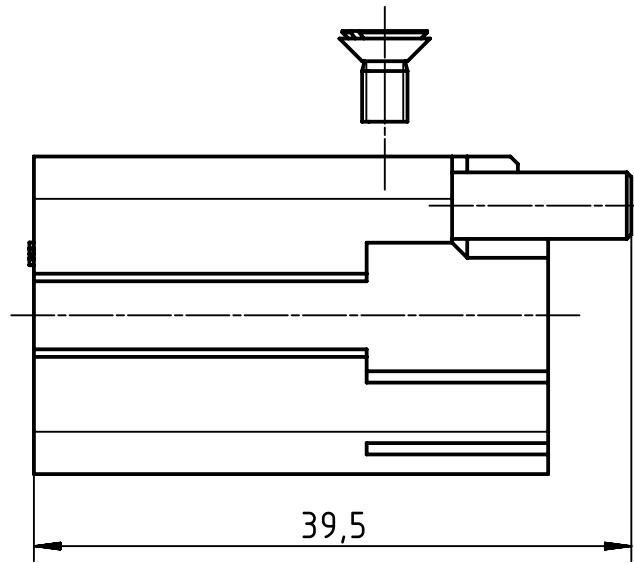
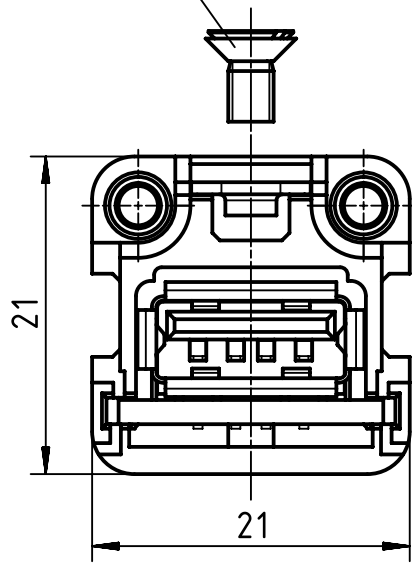
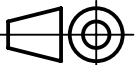



1 2 3 4 5 6

M3 screw
enclosed separately



	All Dimensions in mm Original Size DIN A4		Scale 2:1	Free size tol.		Ref. Sub. TB 09 12 001 2794 v. 21.02.06		
		All rights reserved Department EL PD		Created by SPRENB	Inspected by RIEPE	Standardisation GARSKE	Date 2019-05-15	State Final Release
HARTING Electric GmbH & Co. KG D-32339 Espelkamp		Title Han Brid-USB-F Wanddurchführung				Doc-Key / ECM-Nr. 100102360/UGD/006/A 500000151709		
				Type TB	Number 09 12 001 2794		Rev. A	Page 1/1