

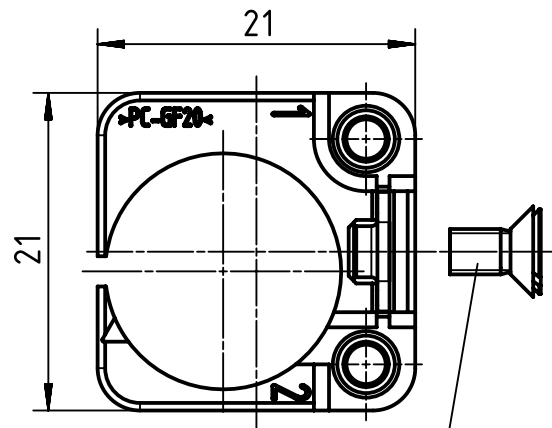
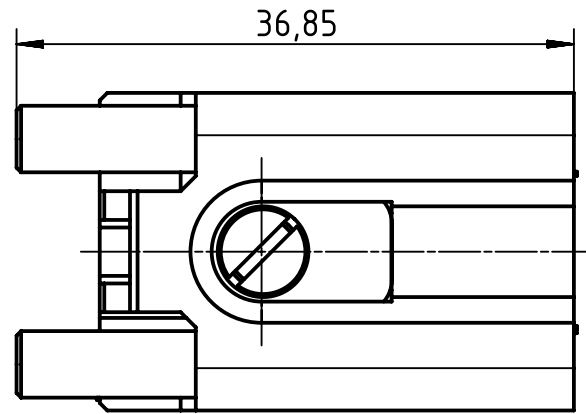
1 2 3 4 5 6

A

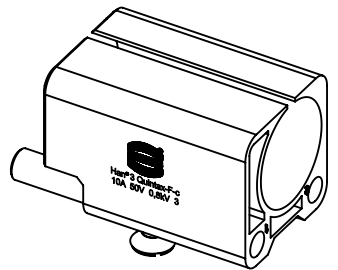
B

C

D



M3 screw enclosed separately



	All Dimensions in mm Original Size DIN A4		Scale 2:1	Free size tol.		Ref.
						Sub.
	All rights reserved		Created by SPRENB	Inspected by BERGHORN	Standardisation RUETERA	Date 2020-03-10
	Department EL PD					State Final Release
HARTING Electric GmbH & Co. KG D-32339 Espelkamp			Title Han 3 Quintax-F-c			Doc-Key / ECM-Nr. 100133129/UGD/005/B 500000168457
			Type TB	Number 09 15 003 3101		Rev. B
						Page 1/1