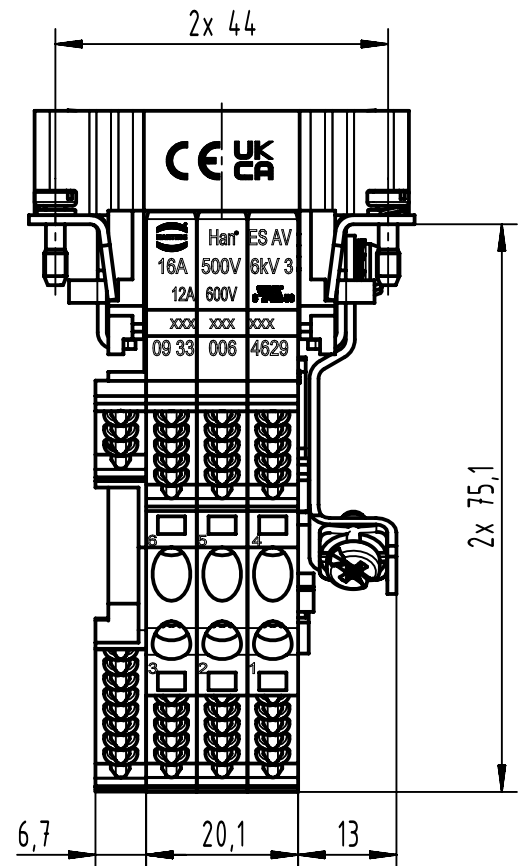
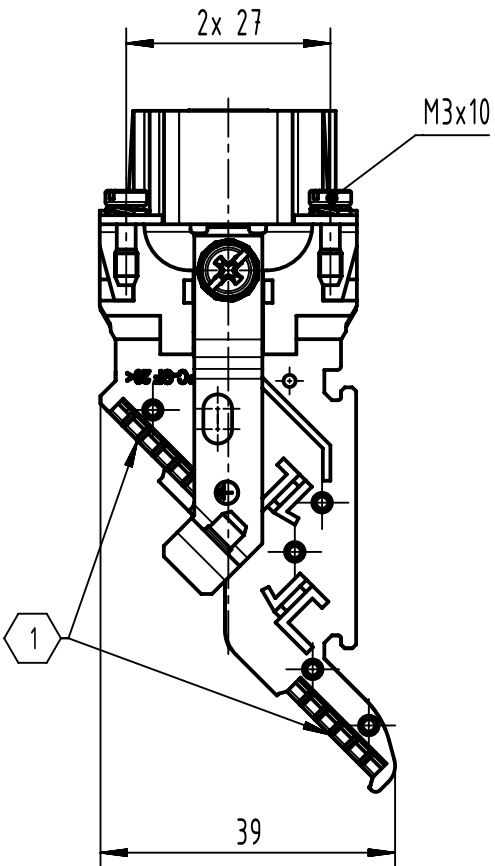
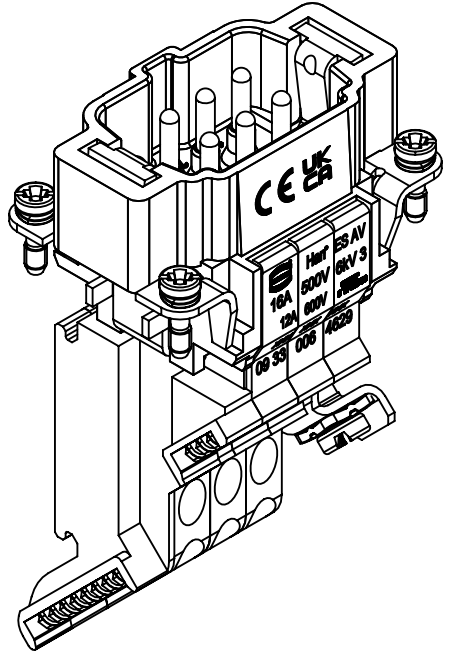


1 2 3 4 5 6

A
B
C
D



1 Slots for designation strips (max. 6 digits)

	All Dimensions in mm Original Size DIN A4		Scale 1:1	Free size tol.		Ref.
						Sub.
	All rights reserved		Created by CELMARE	Inspected by 402602	Standardisation	Date 2022-11-29
	Department EL PD		Title Han ES AV Pos. 6 Insert Term. Block left			State Final Release
HARTING D-32339 Espelkamp			Type TB	Number 09 33 006 4629		Doc-Key / ECM-Nr. 100129913/UGD/006/D 500000231398
					Rev. D	Page 1/1