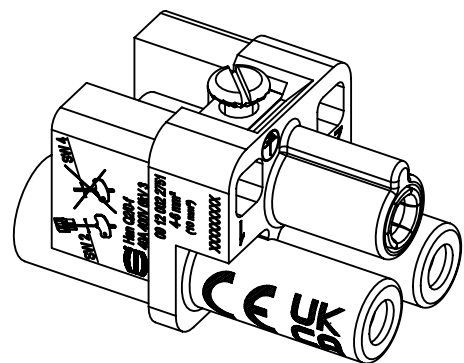
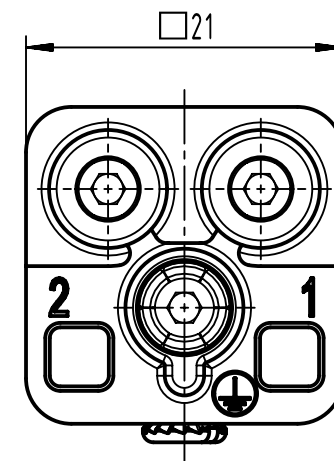
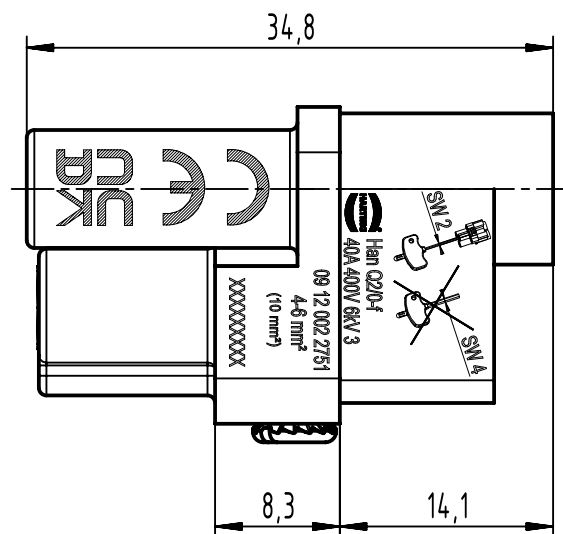


insert fixing screw M3x6
enclosed separately



	All Dimensions in mm Original Size DIN A4	Scale	Free size tol.		Ref.
		2:1			Sub.
	All rights reserved Department EL PD	Created by	Inspected by	Standardisation	Date
		100887	SUNDERMEIER		2022-10-28
HARTING D-32339 Espelkamp		Title			Doc-Key / ECM-Nr. 100108698/UGD/008/B 500000225850
		Han Q 2/0-bu 4-10 mm ²			
		Type	Number	Rev.	Page
		TB	09 12 002 2751	B	1/1