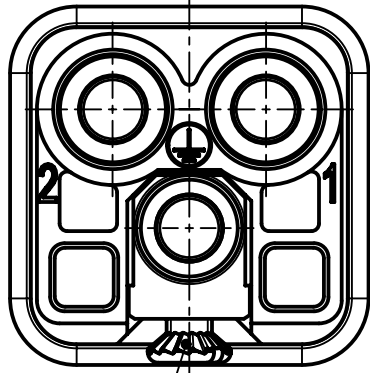


A

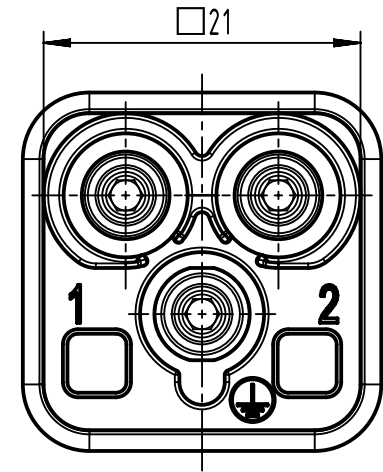
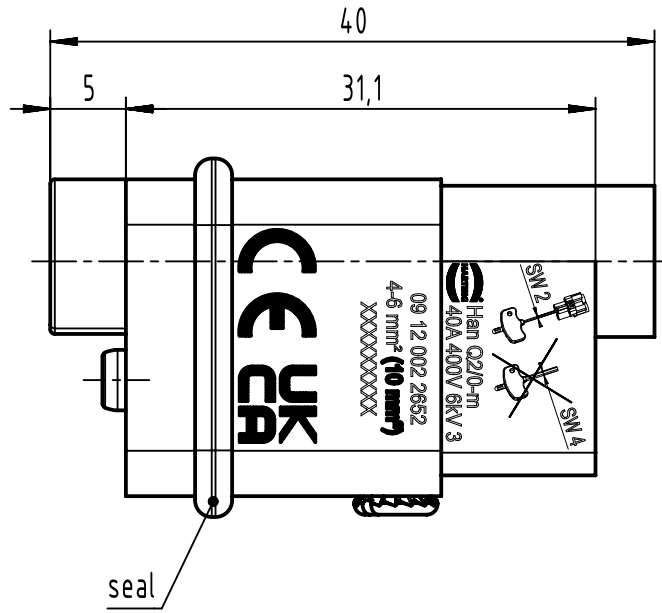
B

C

D

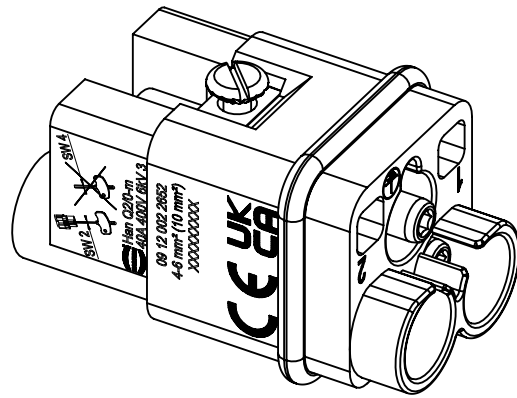
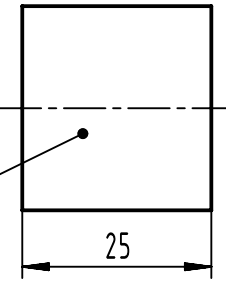


insert fixing screw M3x6  
enclosed separately



1:1

shrink tubing  
enclosed separately



	All Dimensions in mm Original Size DIN A4	Scale	Free size tol.		Ref.
		2:1			Sub.
	All rights reserved Department EL PD	Created by	Inspected by	Standardisation	Date
		100887	SUNDERMEIER		2022-10-28
HARTING D-32339 Espelkamp		Title Han Q 2/0-sti HV 4-6 mm <sup>2</sup> (10 mm <sup>2</sup> opt.)			State Final Release
		Type	Number	Doc-Key / ECM-Nr.	Page
		TB	09 12 002 2652	100123820/UGD/007/B 500000225850	1/1
				Rev. B	