

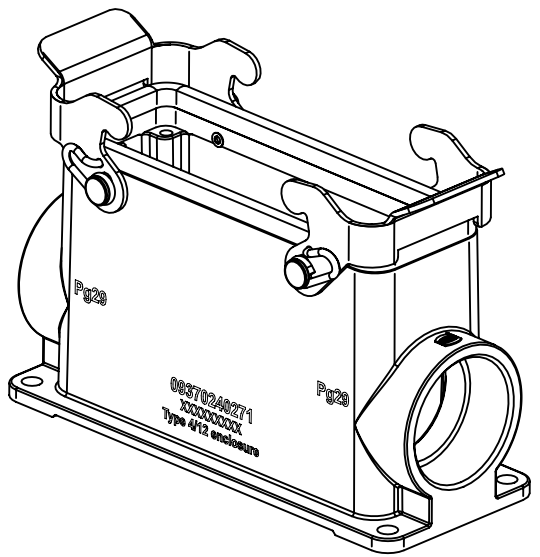
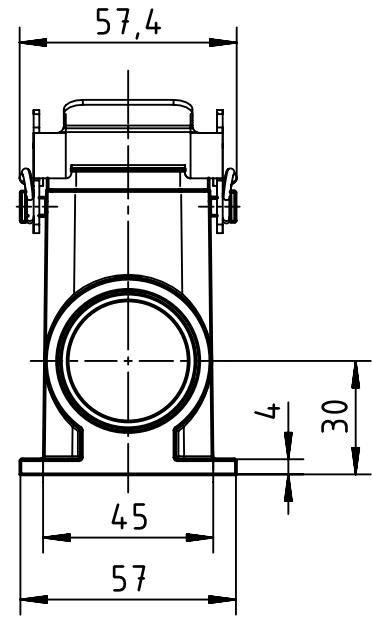
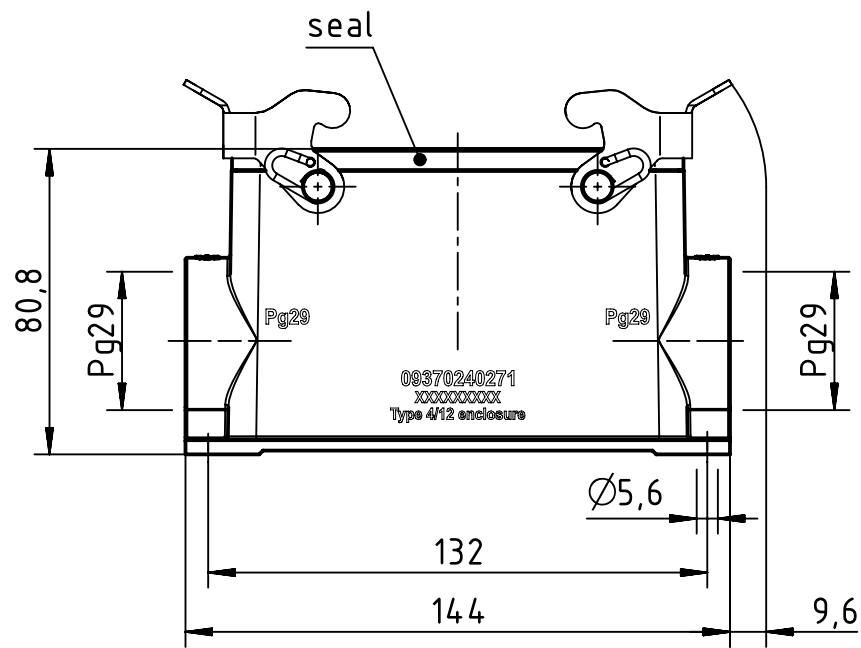
1 2 3 4 5 6

A

B

C

D



	All Dimensions in mm Original Size DIN A4		Scale 1:2	Free size tol.		Ref.
						Sub.
	All rights reserved		Created by FINKEV	Inspected by GERB	Standardisation GARSKE	Date 2020-03-30
	Department EL PD					State Final Release
HARTING Electric GmbH & Co. KG D-32339 Espelkamp			Title Han M Base Surface HC 2 Levers 2 x Pg29			Doc-Key / ECM-Nr. 100205781/UGD/004/B 500000166177
			Type TB	Number 09 37 024 0271		Rev. B Page 1/1