

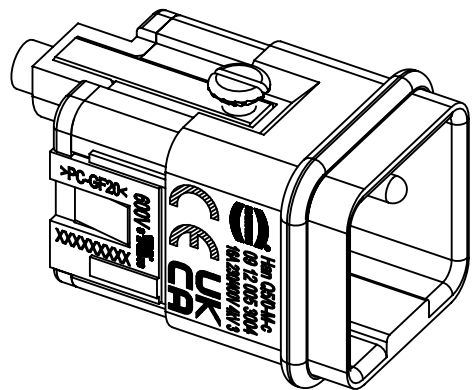
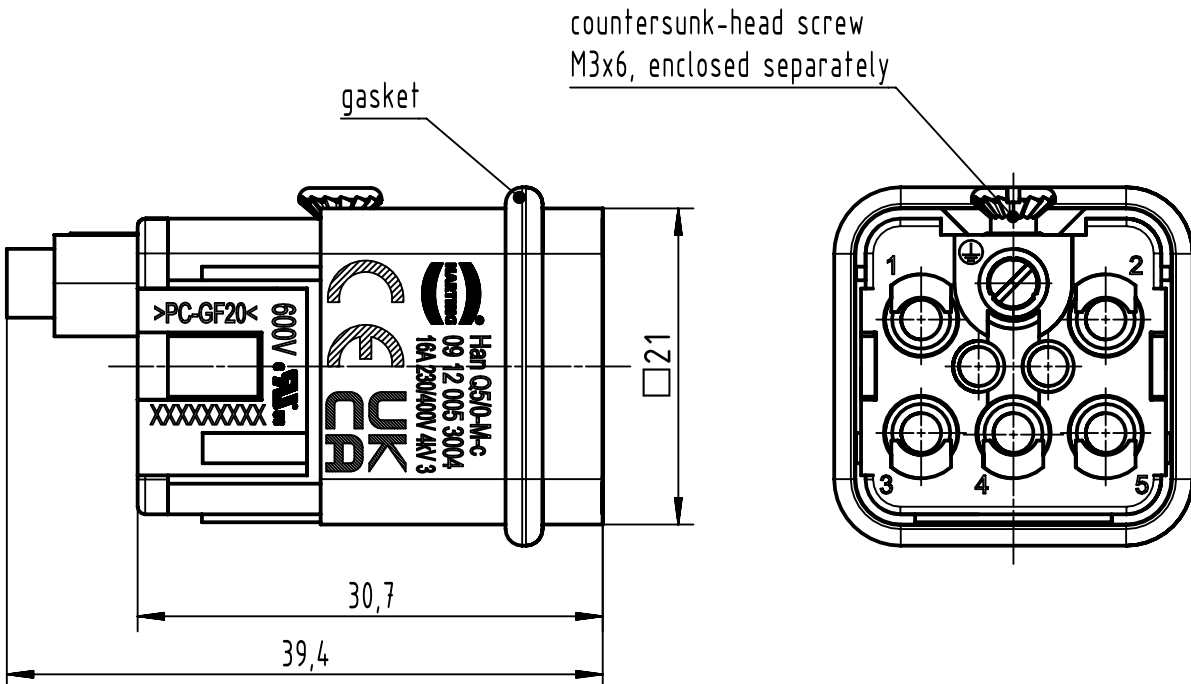
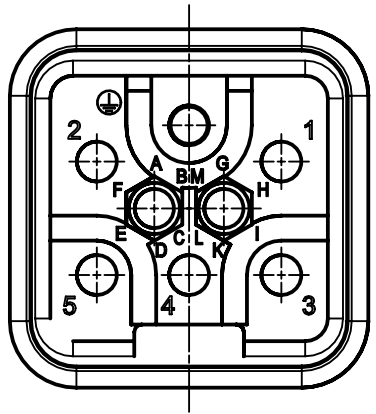
1 2 3 4 5 6


A

B

C

D



|   |   |  |                          |                        |                 |                    |  |  |  |
|---|---|--|--------------------------|------------------------|-----------------|--------------------|--|--|--|
|  | All rights reserved<br>Department EL PD | All Dimensions in mm<br>Original Size DIN A4 |                          | Scale<br>2:1           | Free size tol.  |                    | Ref.   |  |  |
|   |   | Created by<br>BALSAN                         |                          | Inspected by<br>408654 | Standardisation | Date<br>2023-07-04 | State<br>Final Release                                   |  |  |
| HARTING<br>D-32339 Espelkamp  |   | Title<br>Han Q 5/0-M-c with coding           |                          |                        |                 |                    | Doc-Key / ECM-Nr.<br>100692589/UGD/000/B<br>500000248915 |  |  |
|   |   | Type<br>TB                                   | Number<br>09 12 005 3004 |                        |                 | Rev.<br>B          | Page<br>1/1  |  |  |