

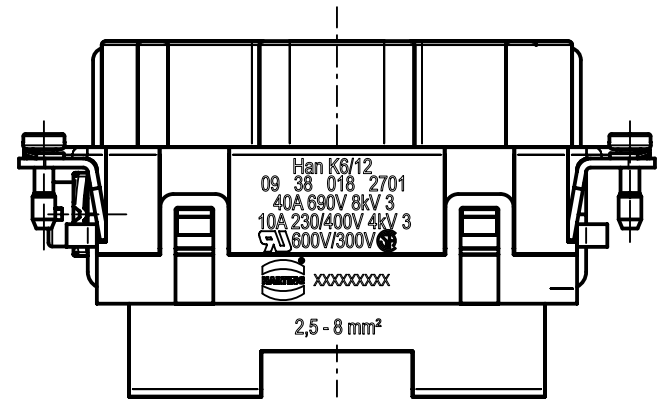
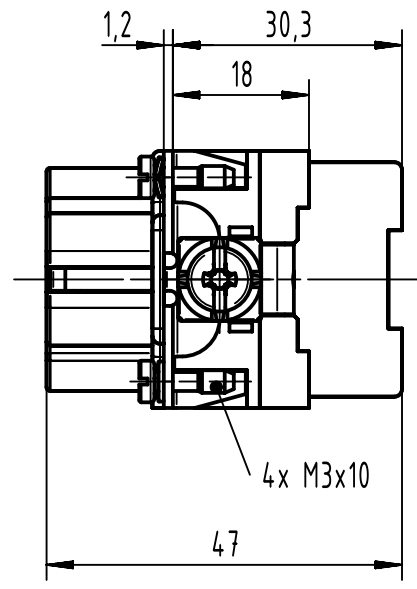
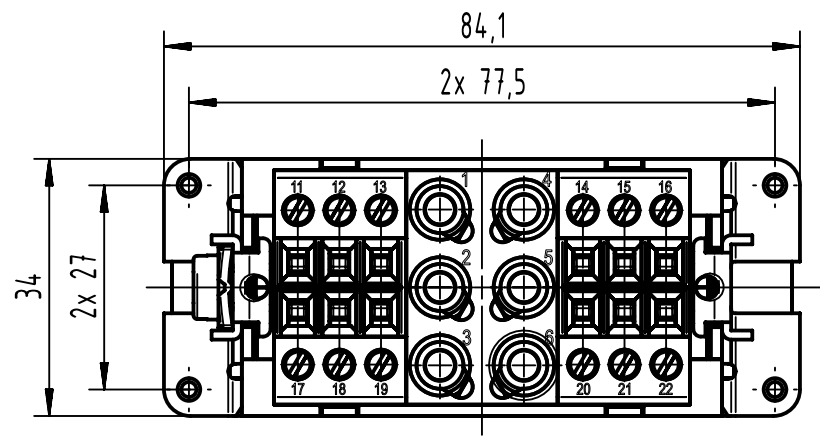
1 2 3 4 5 6

A

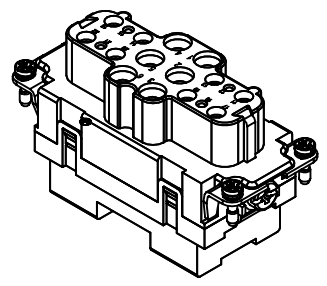
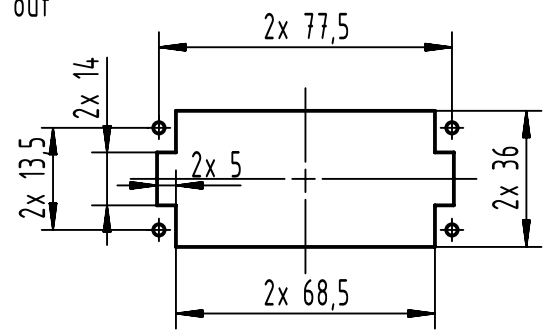
B

C

D



panel cut out
1:2



	All Dimensions in mm Original Size DIN A4		Scale 1:1	Free size tol.		Ref.	
						Sub.	
	All rights reserved		Created by HELLMANN	Inspected by GERB	Standardisation 302077	Date 2021-04-29	
	Department EL PD					State Final Release	
HARTING		Title Han K 6/12 Pos. F Insert				Doc-Key / ECM-Nr. 100130864 / UGD/007/D 500000194210	
D-32339 Espelkamp		Type TB	Number 09 38 018 2701			Rev. D	Page 1/1