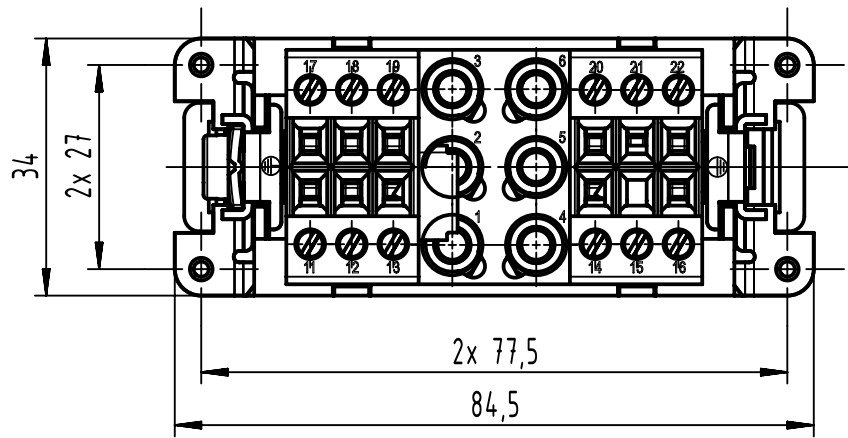
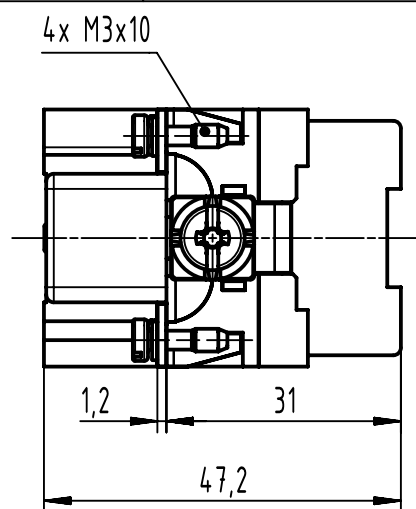


1 2 3 4 5 6

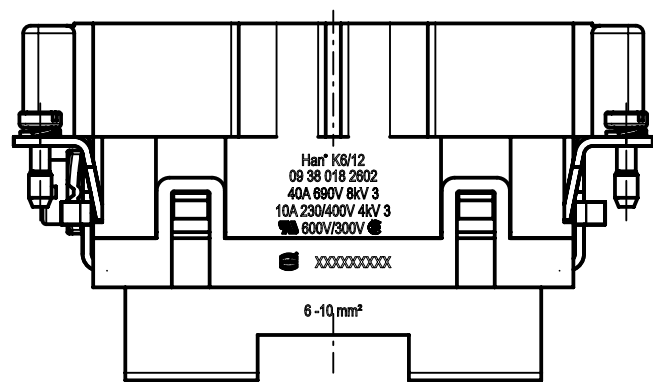
A



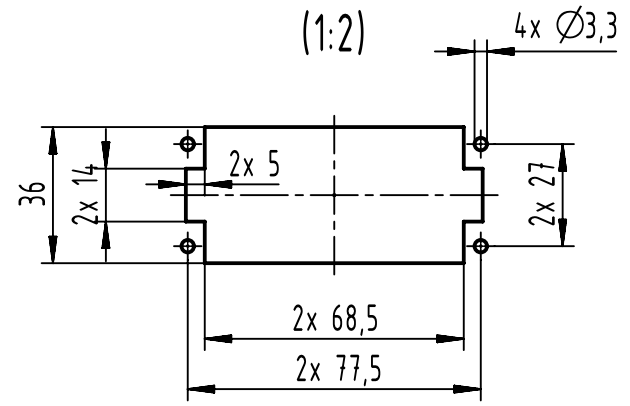
B



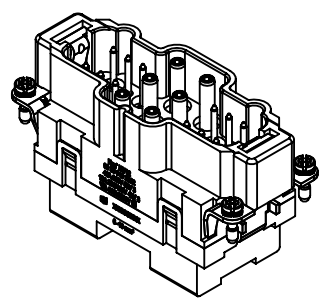
C



panel cut out  
(1:2)



D



	All Dimensions in mm Original Size DIN A4		Scale 1:1	Free size tol.		Ref.
			Created by 105230	Inspected by GERB	Standardisation	Sub.
All rights reserved Department EL PD		Title Han K 6/12 Pos. M Insert (6-10mm2)		Date 2023-06-27	State Final Release	Doc-Key / ECM-Nr. 100123950/UGD/009/C 500000248357
HARTING D-32339 Espelkamp		Type TB	Number 09 38 018 2602		Rev. C	Page 1/1