

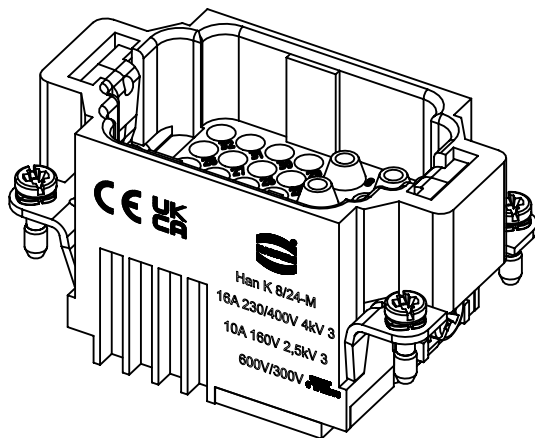
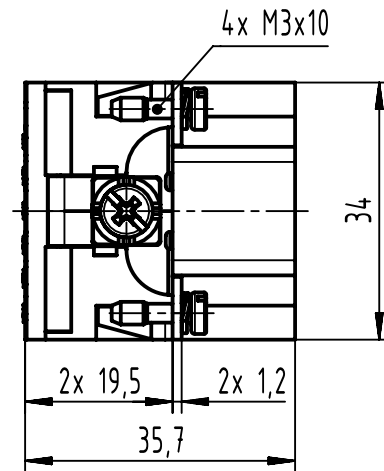
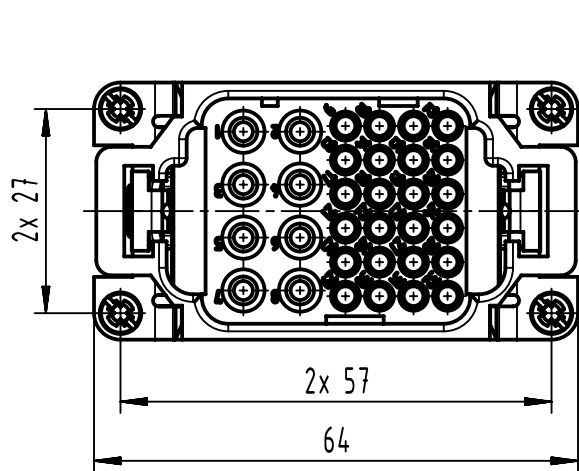
1 2 3 4 5 6

A

B

C

D



	All Dimensions in mm Original Size DIN A4		Scale 1:1	Free size tol.		Ref.
			Created by BALSAN	Inspected by 402602	Standardisation	Sub.
All rights reserved		Date 2023-02-02		State Final Release		
Department EL PD		Title Han K 8/24 Pos. M Insert Crimp				Doc-Key / ECM-Nr. 100089939/UGD/005/B 500000236606
HARTING D-32339 Espelkamp		Type TB	Number 09 38 032 3001			Rev. B
						Page 1/1