

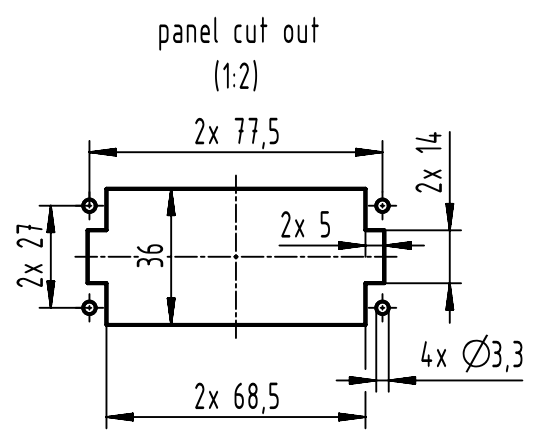
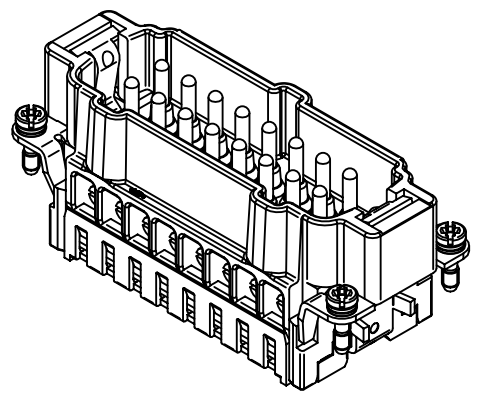
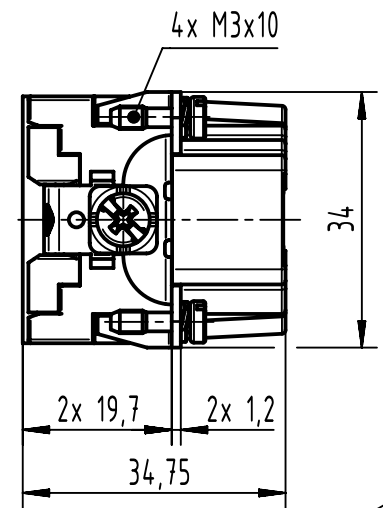
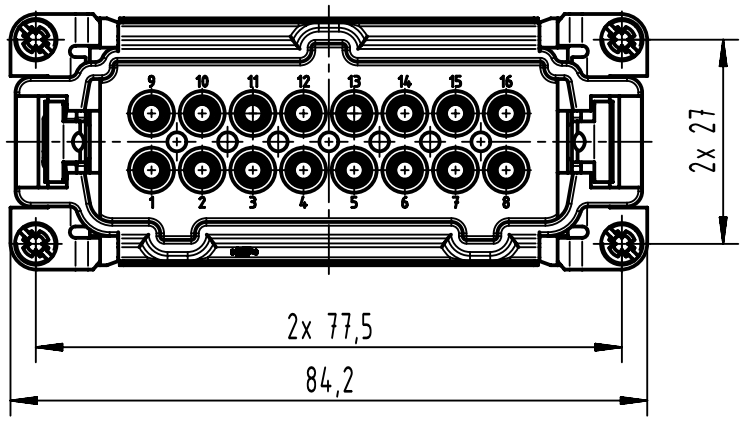
1 2 3 4 5 6

A

B

C

D



	All rights reserved Department EL PD	All Dimensions in mm Original Size DIN A4		Scale 1:1	Free size tol.	Ref.
		Created by 402918	Inspected by 402602	Standardisation	Date 2021-11-08	State Final Release
HARTING D-32339 Espelkamp		Title Han High Temp 16E-s Male			Doc-Key / ECM-Nr. 100620336/UGD/001/B 500000204754	
		Type TB	Number 09 33 816 2603		Rev. B	Page 1/1