

1 2 3 4 5 6

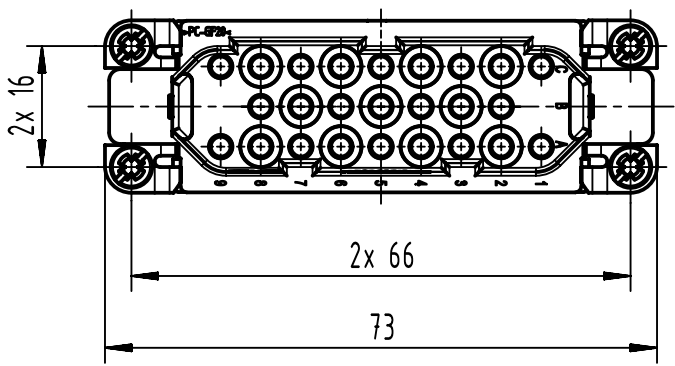
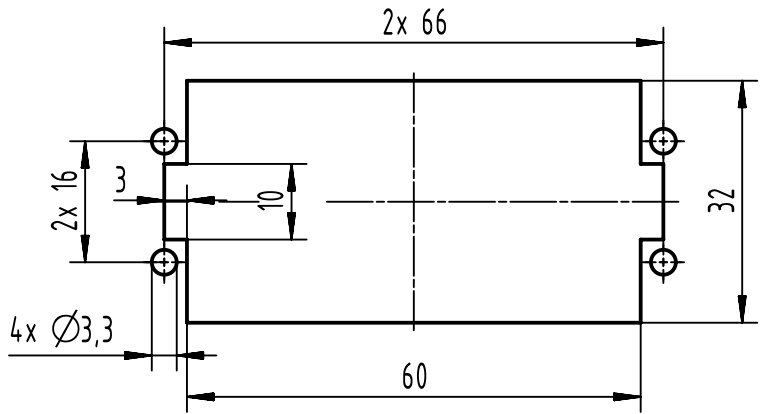
A

B

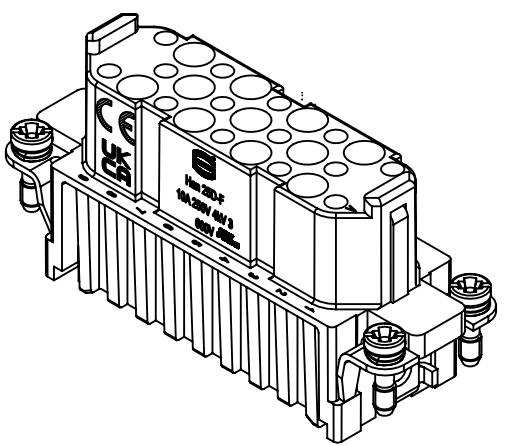
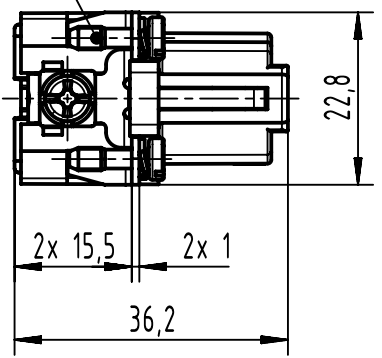
C

D

panel cut out



4x M3x10



	All rights reserved Department EL PD	All Dimensions in mm Original Size DIN A4		Scale 1:1	Free size tol.	Ref. Sub.
		Created by BALSAN	Inspected by 402602	Standardisation SAP_WFRT	Date 2022-08-25	State Final Release
HARTING D-32339 Espelkamp		Title Han D 25 Pos. F Insert Crimp			Doc-Key / ECM-Nr. 100127553/UGD/007/E 500000224.148	
		Type TB	Number 09 21 025 3101		Rev. E	Page 1/1