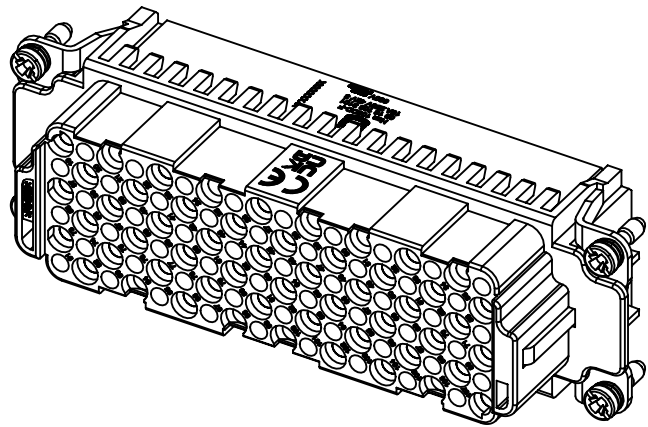
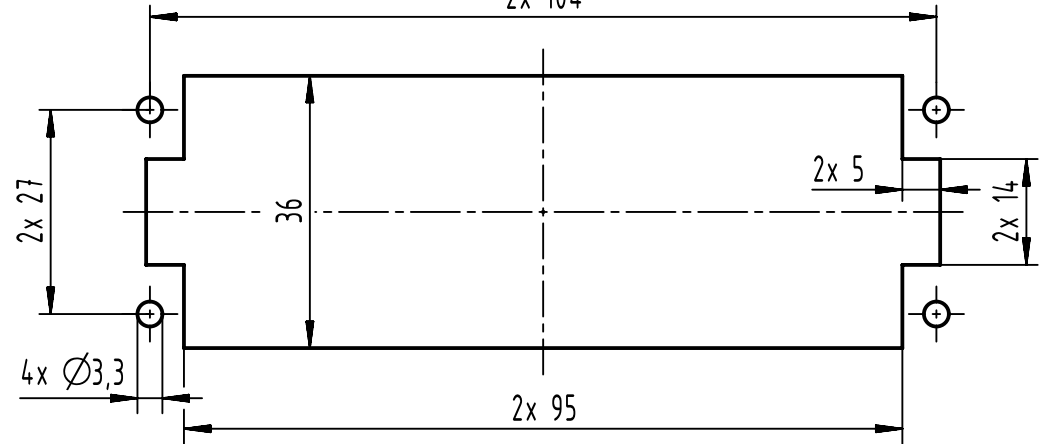



panel cut out
2x 104



	All rights reserved		Created by 404440		Inspected by 402602		Standardisation		Date 2023-11-23		State Final Release	
	Department EL PD		Title Han 108DD-SMC-FI-CRT		Doc-Key / ECM-Nr. 100216545/UGD/003/J 500000258277		Type TB		Number 09 16 108 3101		Rev. J	
HARTING D-32339 Espelkamp										Page 1/1		