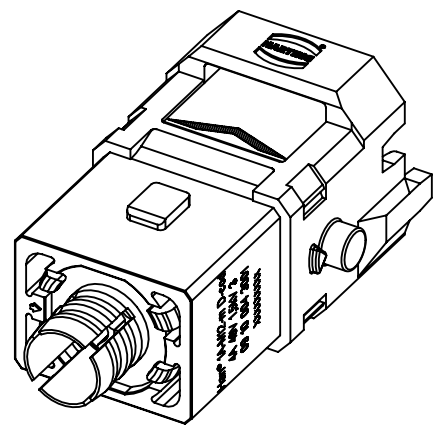


order contacts separately

wire gauge	part-no.
AWG 28-24	09 67 000 7576
AWG 26-22	09 67 000 5576
AWG 24-20	09 67 000 8576
AWG 22-18	09 67 000 3576



	All rights reserved Department EL PD	All Dimensions in mm Original Size DIN A4	Scale 2:1	Free size tol.	Ref. Sub.
		Created by HOLLERT	Inspected by HERBRECHTSME	Standardisation	Date 2021-09-24
HARTING D-32339 Espelkamp		Title Han 1A-M12-m D-coded, latch			Doc-Key / ECM-Nr. 100761205/UGD/001/F 500000196014
		Type TB	Number 09 10 004 3001		Rev. F
					Page 1/1