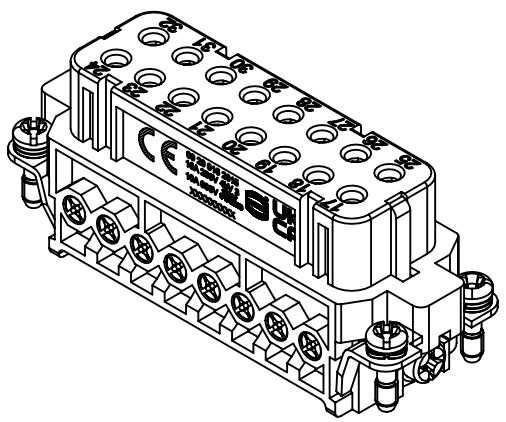
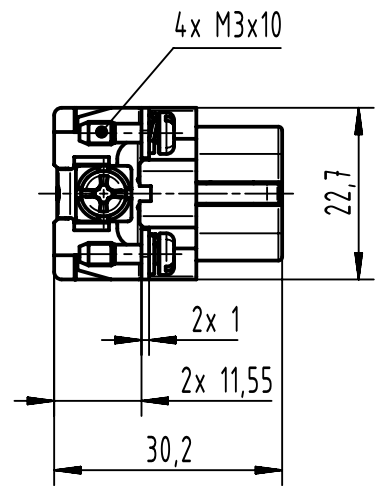
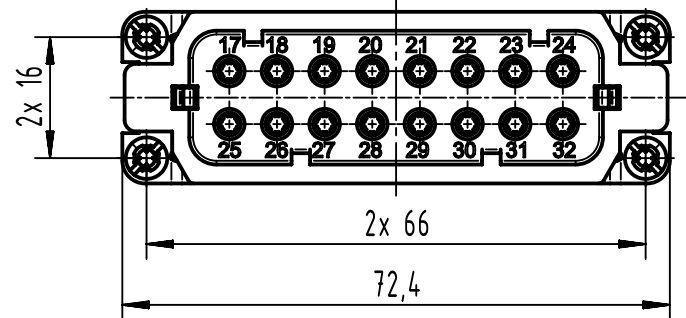
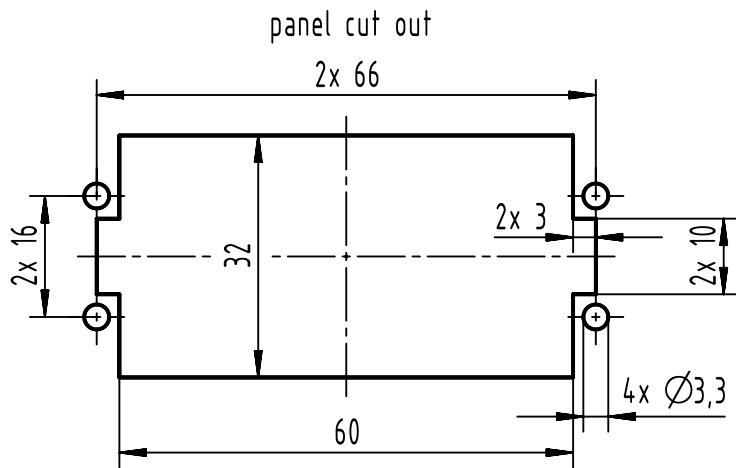


A

B

C

D



	All rights reserved Department EL PD	Created by BALSAN		Inspected by 402602		Standardisation		Date 2022-12-05		State Final Release	
		Title Han 16A-BU-S, Drahtschutz (17-32)								Doc-Key / ECM-Nr. 100536046/UGD/003/F 500000231826	
HARTING D-32339 Espelkamp		Type TB		Number 09 20 016 2815				Rev. F		Page 1/1	