

1 2 3 4 5 6

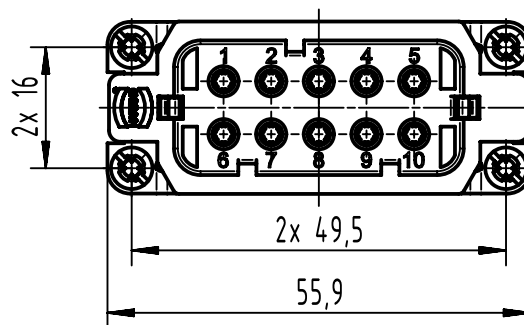
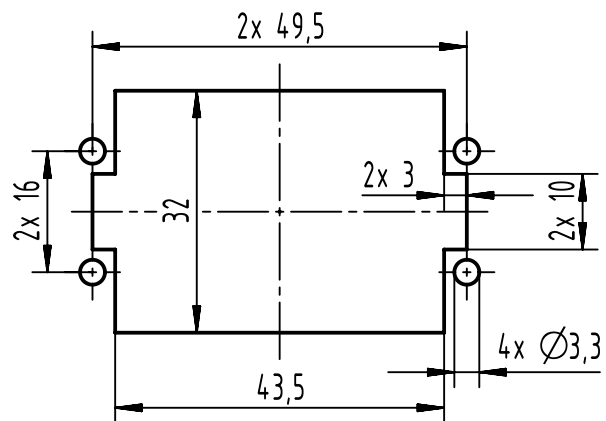
A

B

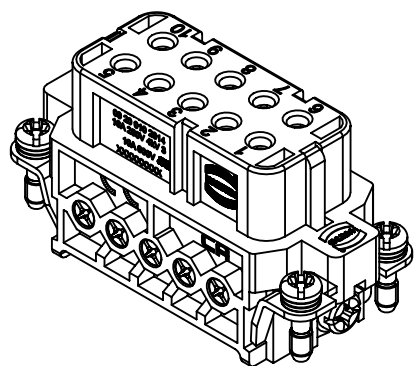
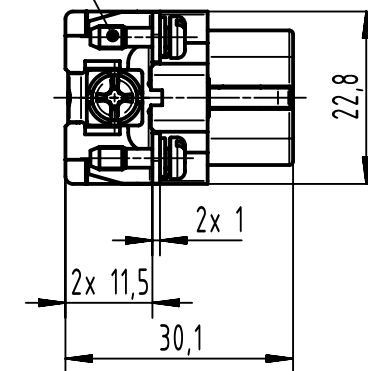
C

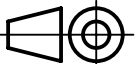

D

panel cut out



4x M3x10



	All Dimensions in mm Original Size DIN A4		Scale 1:1	Free size tol.		Ref.
						Sub.
	All rights reserved		Created by BALSAN	Inspected by 402602	Standardisation	Date 2023-06-21
	Department EL PD		Title Han 10A-F-S, w. Wire Protection			State Final Release
HARTING D-32339 Espelkamp			Type TB	Number 09 20 010 2814		Doc-Key / ECM-Nr. 100217398/UGD/002/D 500000237470
					Rev. D	Page 1/1