

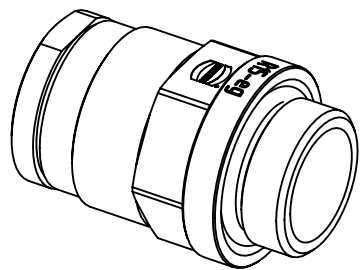
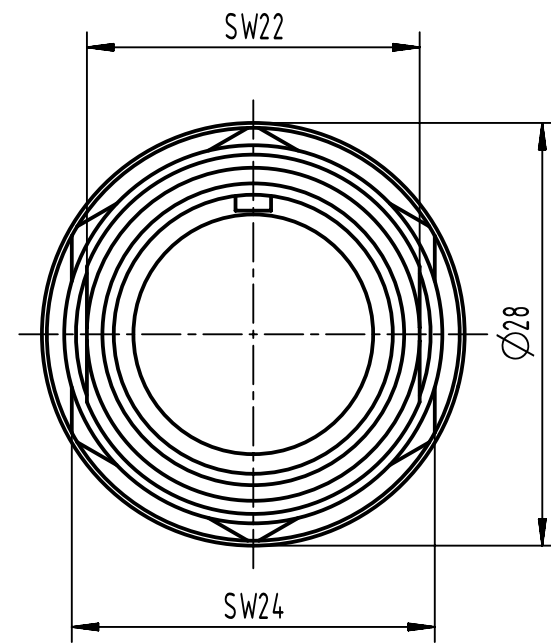
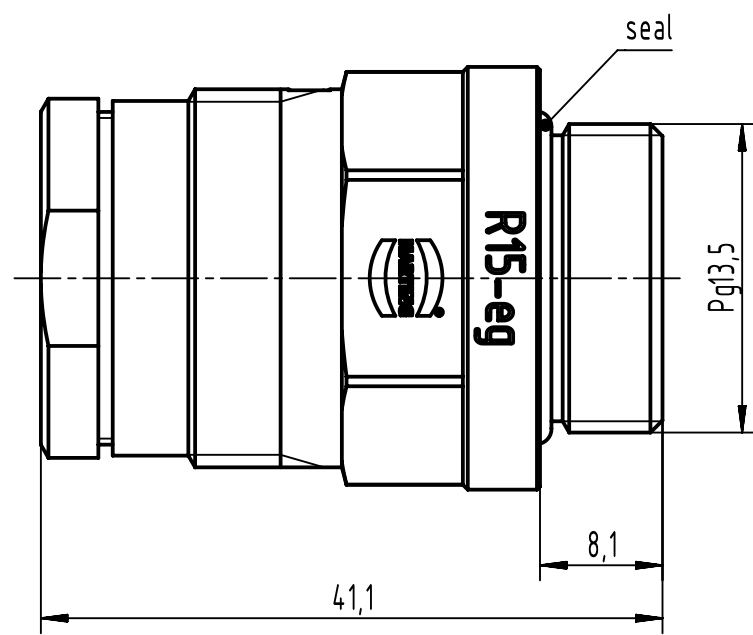
1 2 3 4 5 6

A

B

C

D



	All Dimensions in mm Original Size DIN A4		Scale 2:1	Free size tol.		Ref.		
						Sub.		
	All rights reserved		Created by HOLLERT	Inspected by NICHTERLEIN	Standardisation SAP_WFRT	Date 2022-10-28	State Final Release	
	Department EL PD		Title R 15-EG-13,5-AL				Doc-Key / ECM-Nr. 100111010/UGD/005/B 500000228714	
HARTING D-32339 Espelkamp			Type TB	Number 09 15 000 0121			Rev. B	Page 1/1