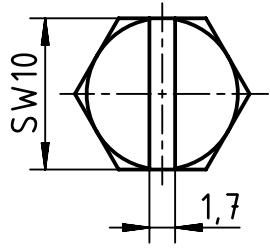
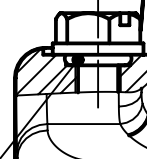


X (2:1)

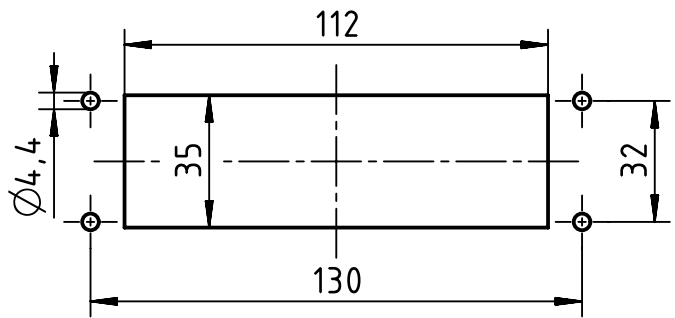


X



Seal

Panel cut out (1:2)



	All Dimensions in mm Original Size DIN A4		Scale 1:1	Free size tol.		Ref.
	All rights reserved Department EL PD		Created by ZHUANGJ	Inspected by LUOK	Standardisation 302077	Sub.
			Title Han 24HP Direct/EMV-HSE-M20		Date 2021-02-23	State Final Release
HARTING (Zhuhai) Manufacturing Co., Ltd. 519085 Zhuhai, China			Type TB	Number 19 39 824 0545		Doc-Key / ECM-Nr. 100665438/UGD/002/F 500000187461 Rev. F Page 1/1