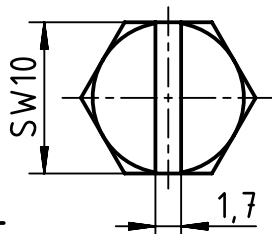
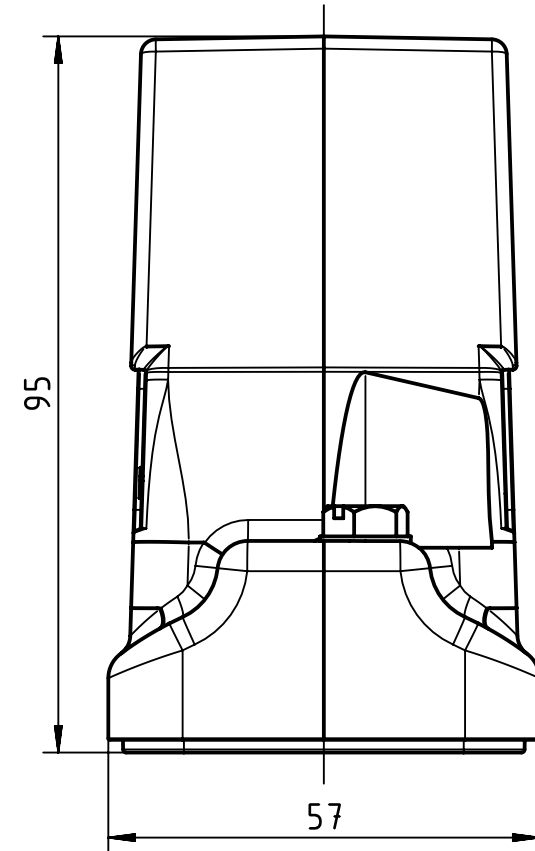
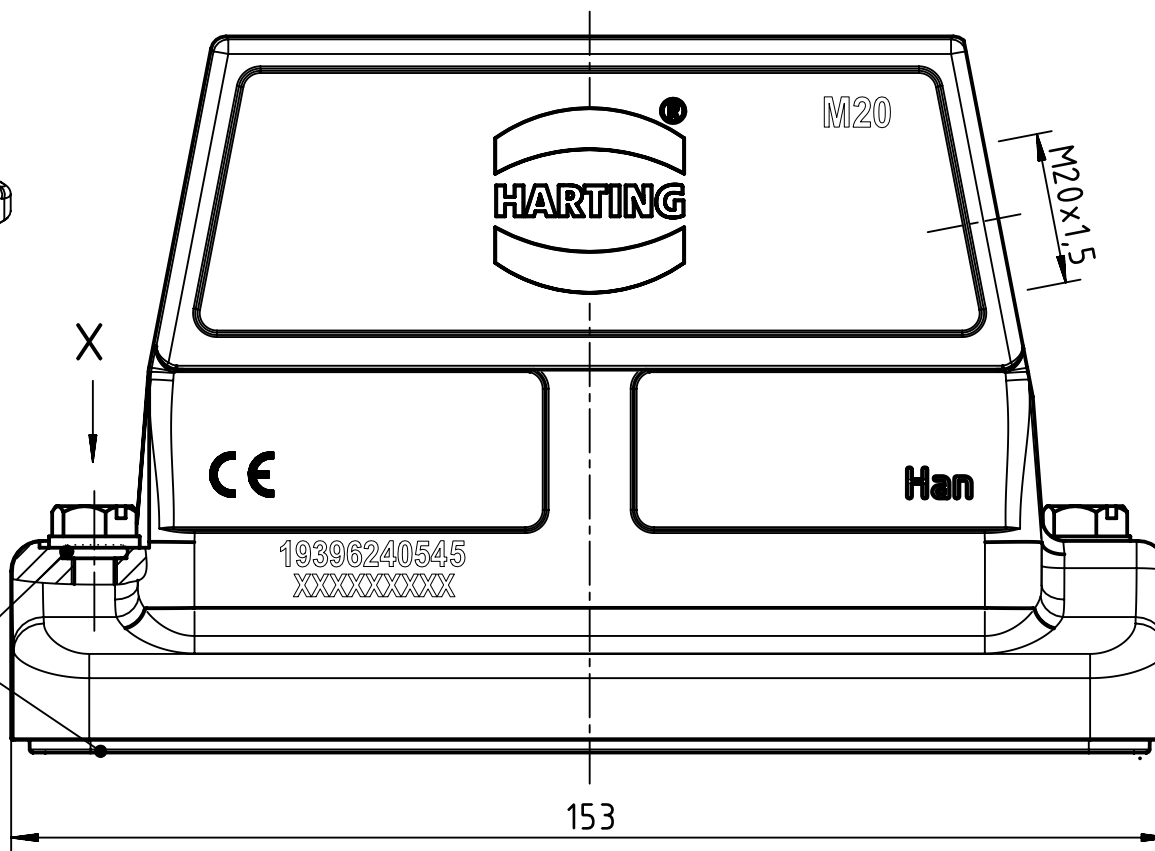


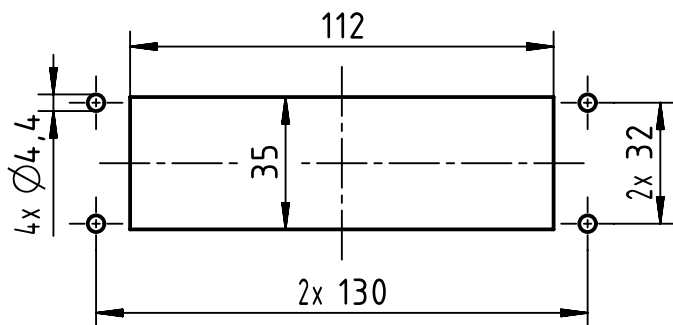
X (2:1)



Seal



Panel cut out (1:2)



	All Dimensions in mm Original Size DIN A4		Scale 1:1	Free size tol.		Ref.
	All rights reserved		Created by ZHUANGJ	Inspected by LUOK	Standardisation ROEBEN	Sub.
Department EL PD		Title Han 24HP Direct/B-HSE-M20		Date 2021-11-19	State Final Release	
HARTING (Zhuhai) Manufacturing Co., Ltd. 519085 Zhuhai, China		Type TB	Number 19 39 624 0545		Doc-Key / ECM-Nr. 100663442/UGD/002/F 500000192069	
					Rev. F	Page 1/1