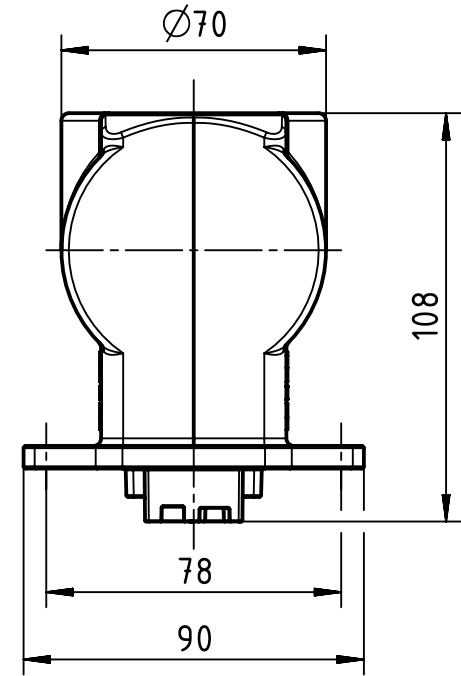
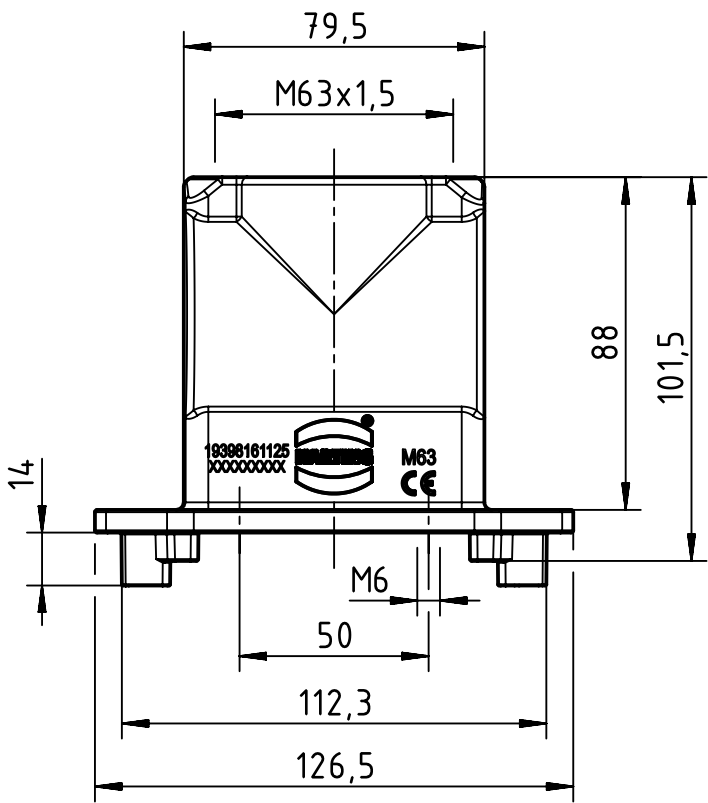
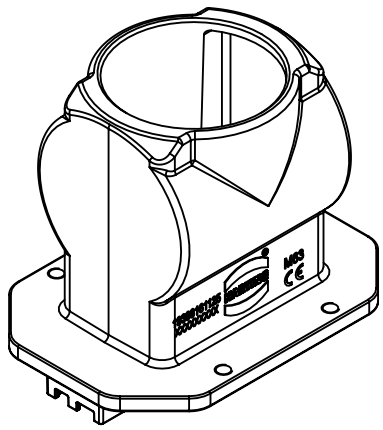


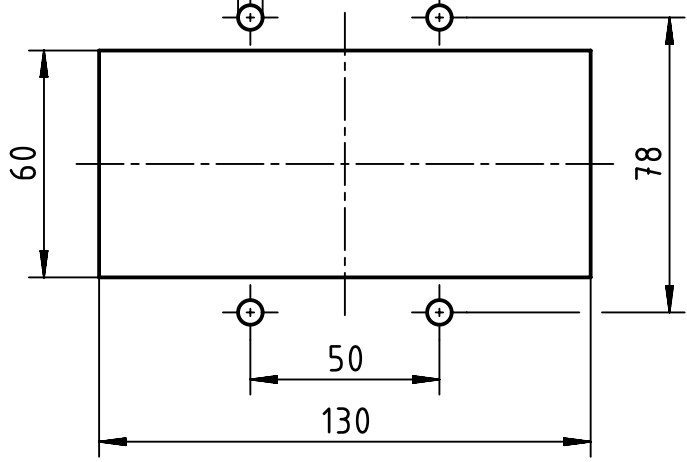
1 2 3 4 5 6

A  
B  
C  
D



panel cut out (1:2)

(Ø6,5)



|                              |   |   |                          |                           |                    |  |             |
|------------------------------|---|---|--------------------------|---------------------------|--------------------|--|-------------|
|                              | All rights reserved<br>Department EL PD | All Dimensions in mm<br>Original Size DIN A4    |                          | Scale<br>1:2              | Free size tol.     | Ref.   |             |
|                              |   | Created by<br>ZHUANGJ                           | Inspected by<br>LUOK     | Standardisation<br>302077 | Date<br>2021-02-23 | State<br>Final Release                                   |             |
| HARTING<br>D-32339 Espelkamp |   | Title<br>Han 16HP Direct/EMC-PFT-Housing-TE-M63 |                          |                           |                    | Doc-Key / ECM-Nr.<br>100746632/UGD/001/D<br>500000187461 |             |
|                              |   | Type<br>TB                                      | Number<br>19 39 816 1125 |                           |                    | Rev.<br>D  | Page<br>1/1 |