

A

B

C

D

1 2 3 4 5 6

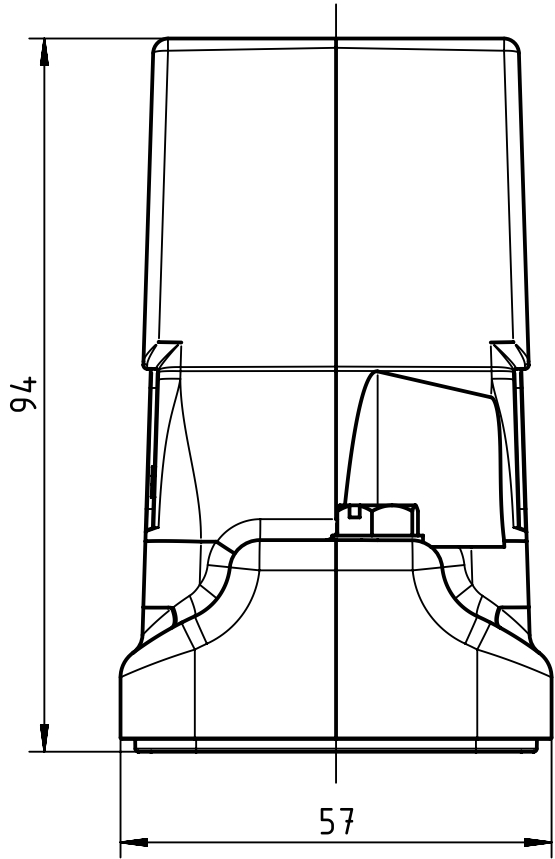
M25x1,5

M25

HARTING

Han

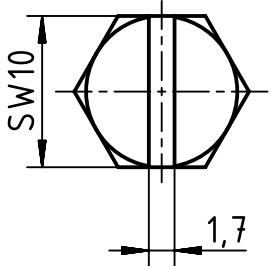
19398160446  
XXXXXXXXXX



X (2:1)

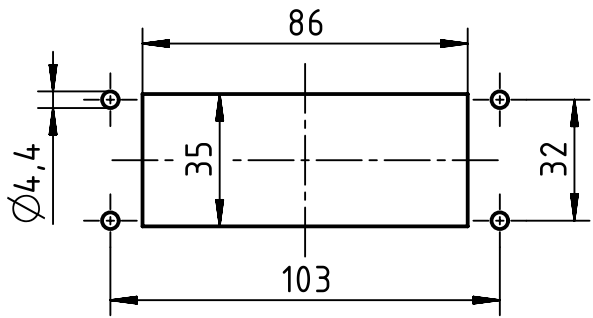
Seal

X



127

Panel cut out (1:2)



	All Dimensions in mm Original Size DIN A4		Scale 1:1	Free size tol.		Ref.
	All rights reserved		Created by LONGL	Inspected by WENE	Standardisation RUETERA	Sub.
Department EL PD - CN		Title Han 16HP Direct/EMV-HTE-M25		Date 2017-10-26	State Final Release	
HARTING (Zhuhai) Manufacturing Co., Ltd. 519085 Zhuhai, China		Type TB	Number 19 39 816 0446			Doc-Key / ECM-Nr. 100665112/UGD/003/E 500000127074
					Rev. E	Page 1/1