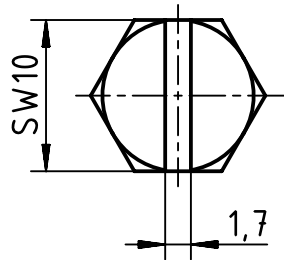
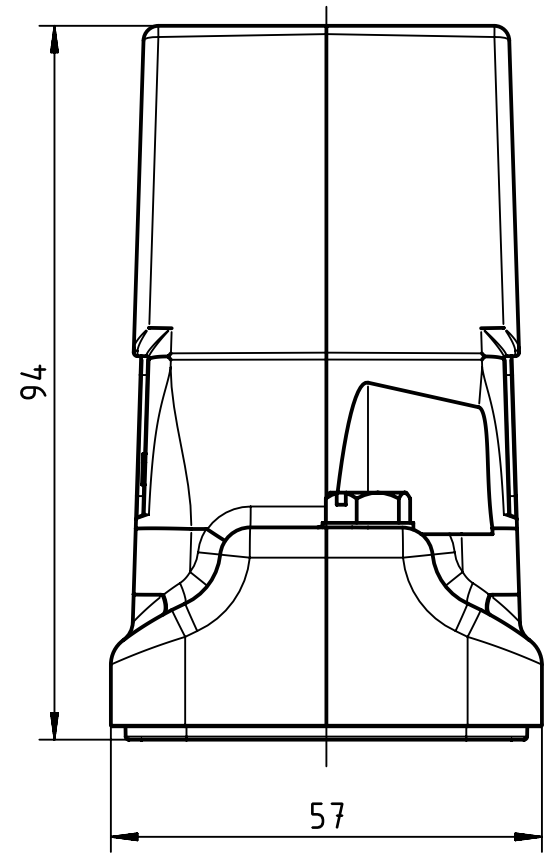
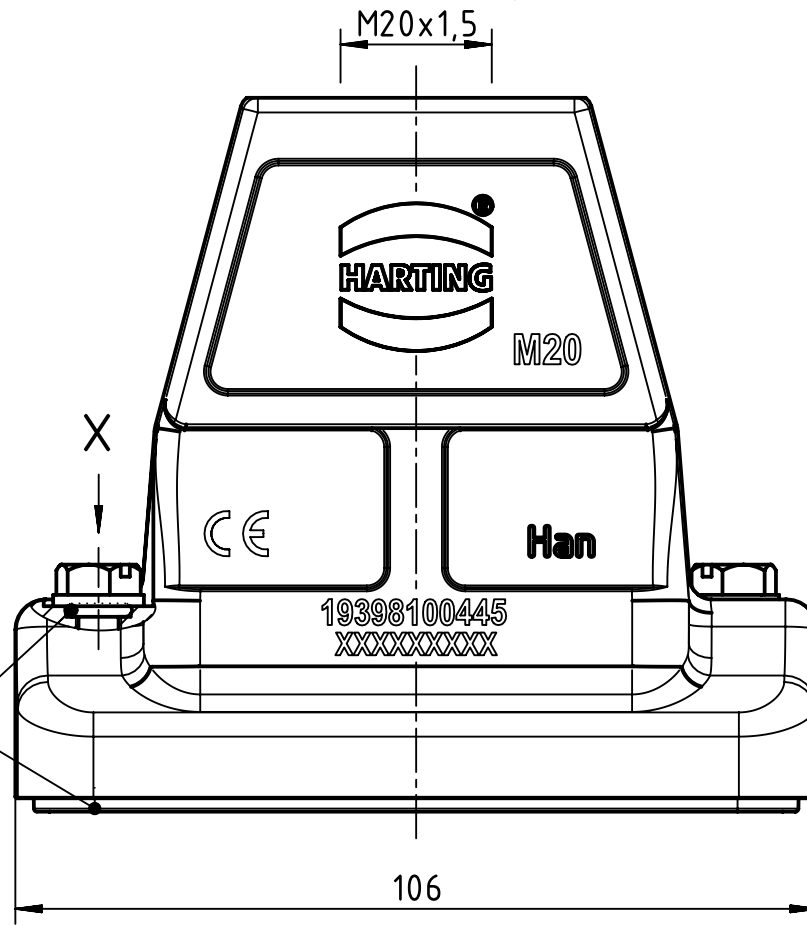


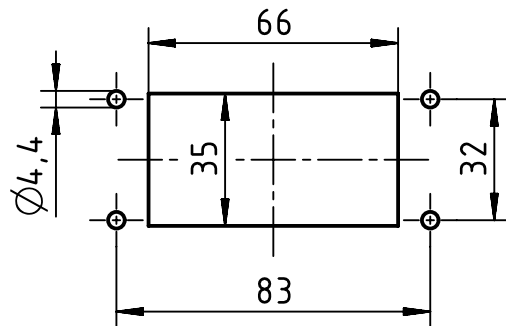
X (2:1)




Seal



Panel cut out (1:2)



	All rights reserved Department EL PD	All Dimensions in mm Original Size DIN A4		Scale 1:1	Free size tol.	Ref.
		Created by ZHUANGJ	Inspected by LUOK	Standardisation 302077	Date 2021-02-23	State Final Release
HARTING (Zhuhai) Manufacturing Co., Ltd. 519085 Zhuhai, China		Title Han 10HP Direct/EMV-HTE-M20			Doc-Key / ECM-Nr. 100665106/UGD/002/F 500000187461	
		Type TB	Number 19 39 810 0445		Rev. F	Page 1/1