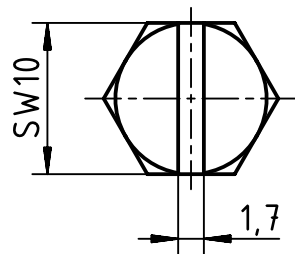
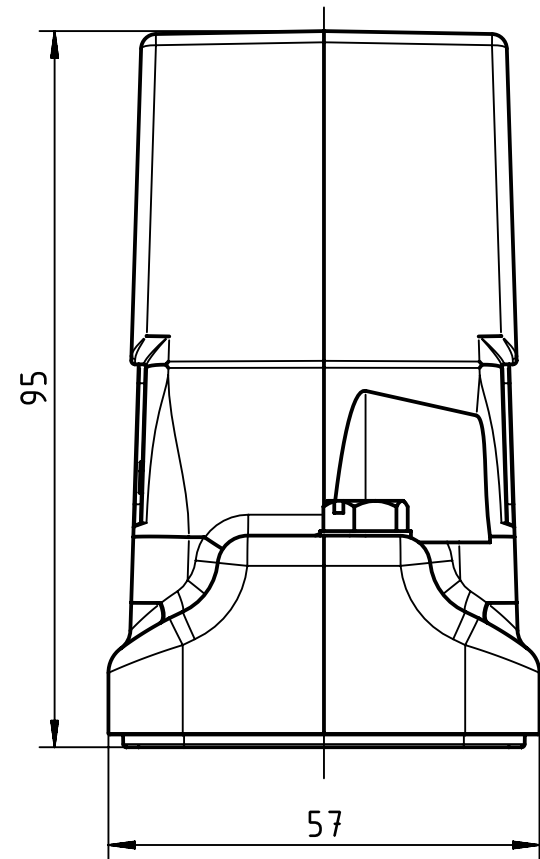
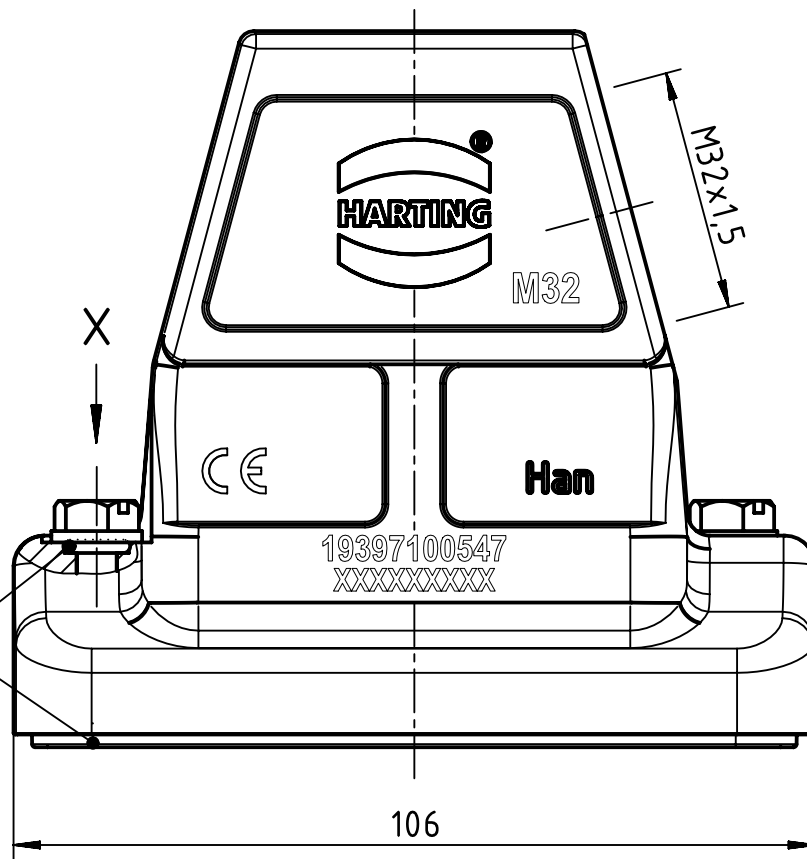
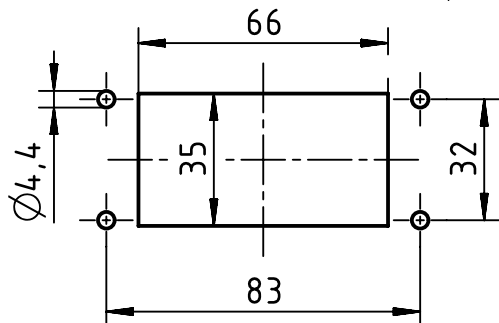



X (2:1)



Panel cut out (1:2)



	All rights reserved		Created by ZHUANGJ		Inspected by LUOK		Standardisation 302077		Date 2021-02-23		State Final Release	
	Department EL PD		Title Han 10HP Direct/M-HSE-M32		Doc-Key / ECM-Nr. 100664306/UGD/004/F 500000187461		Rev. F		Page 1/1			
HARTING (Zhuhai) Manufacturing Co., Ltd. 519085 Zhuhai, China			Scale 1:1 Free size tol.		Ref. Sub.		Title Han 10HP Direct/M-HSE-M32		Type TB		Number 19 39 710 0547	