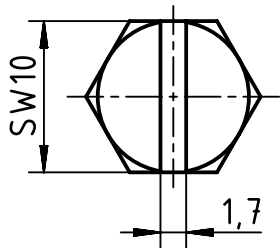
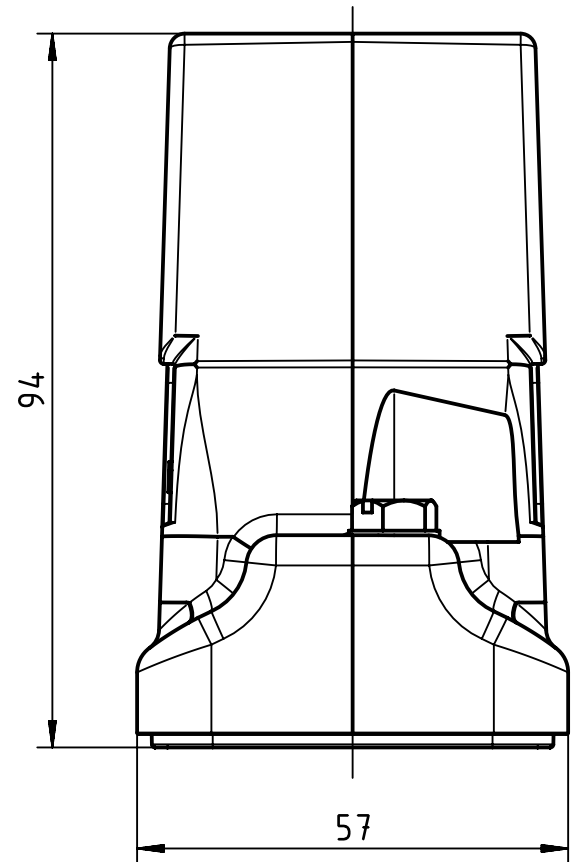
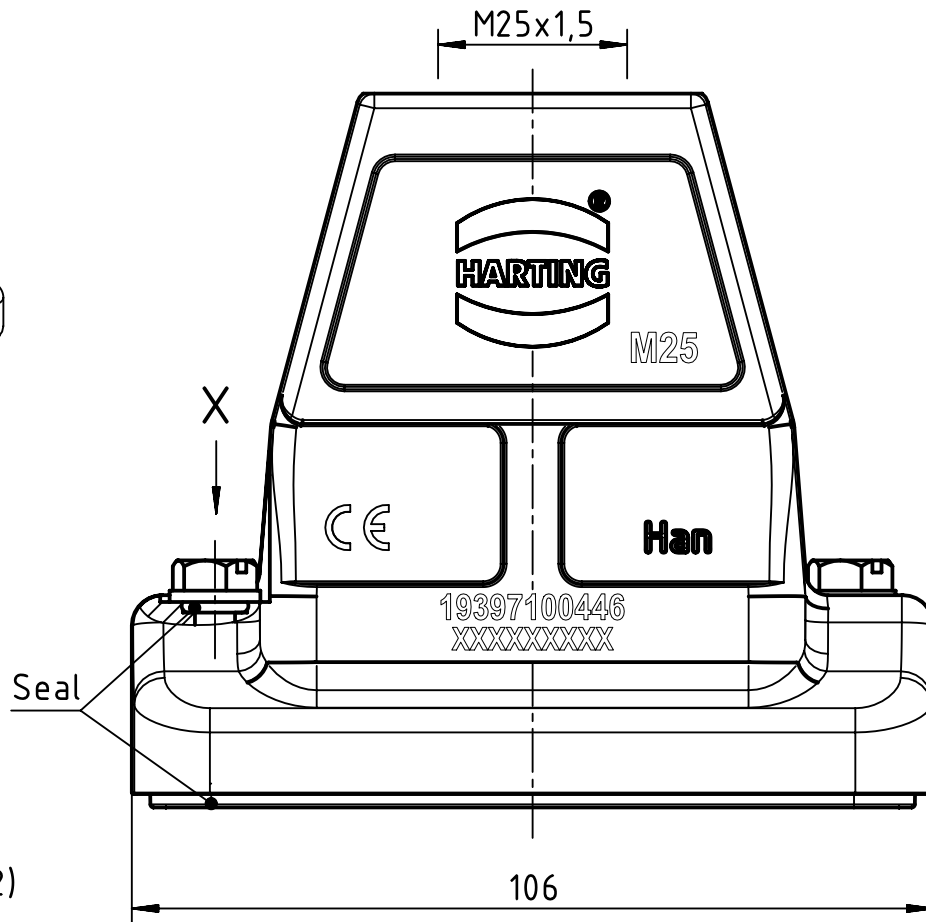
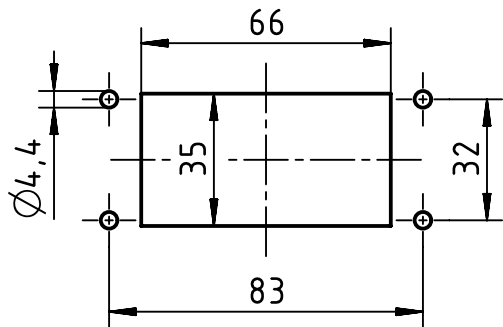





X (2:1)



Panel cut out (1:2)



	All rights reserved		Created by ZHUANGJ		Inspected by LUOK		Standardisation 302077		Date 2021-02-23		State Final Release	
	Department EL PD		Title Han 10HP Direct/M-HTE-M25		Number 19 39 710 0446		Doc-Key / ECM-Nr. 100663880/UGD/003/F 500000187461		Rev. F		Page 1/1	
 All Dimensions in mm Original Size DIN A4			Scale 1:1		Free size tol.		Ref.		Sub.			
 HARTING (Zhuhai) Manufacturing Co., Ltd. 519085 Zhuhai, China			Type TB									