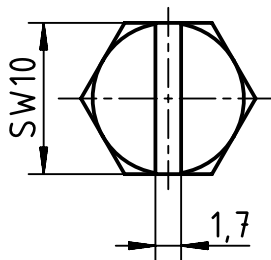
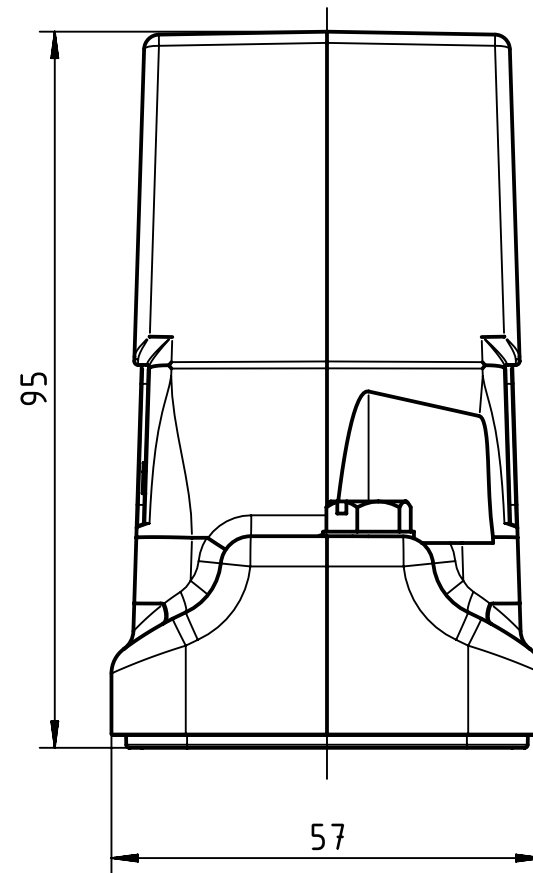
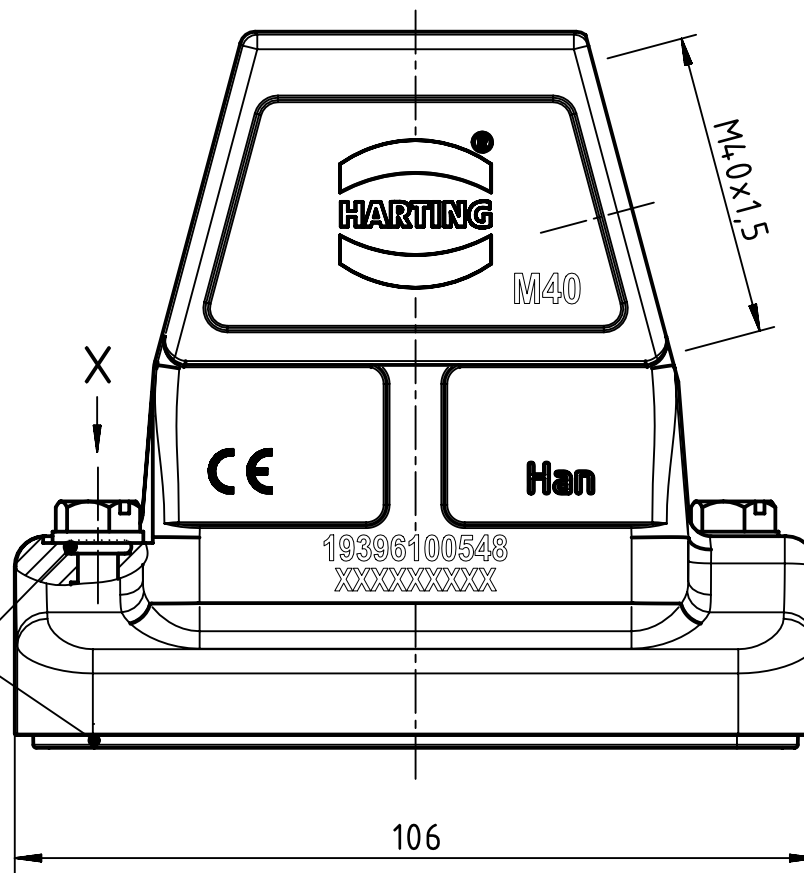


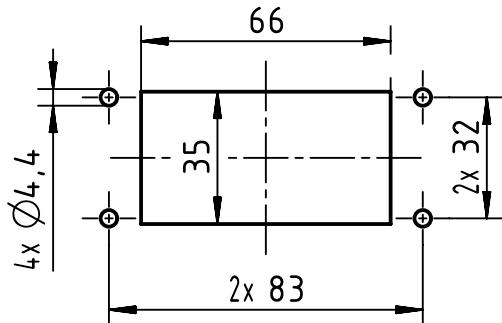
X (2:1)



Seal



Panel cut out (1:2)



	All Dimensions in mm Original Size DIN A4		Scale 1:1	Free size tol.		Ref. Sub.	
	All rights reserved Department EL PD		Created by ZHUANGJ	Inspected by LUOK	Standardisation ROEBEN	Date 2021-12-02	State Final Release
HARTING (Zhuhai) Manufacturing Co., Ltd. 519085 Zhuhai, China			Title Han 10HP Direct/B-HSE-M40			Doc-Key / ECM-Nr. 100663213/UGD/005/F 500000194824	
			Type TB	Number 19 39 610 0548		Rev. F	Page 1/1