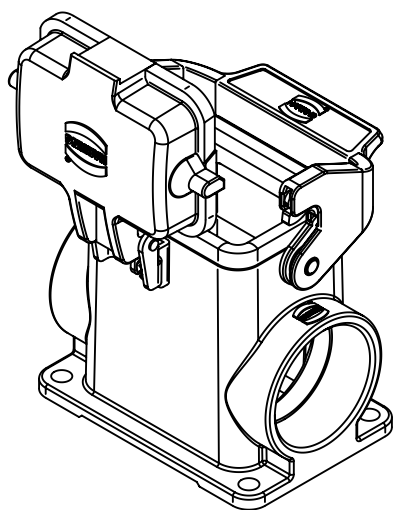
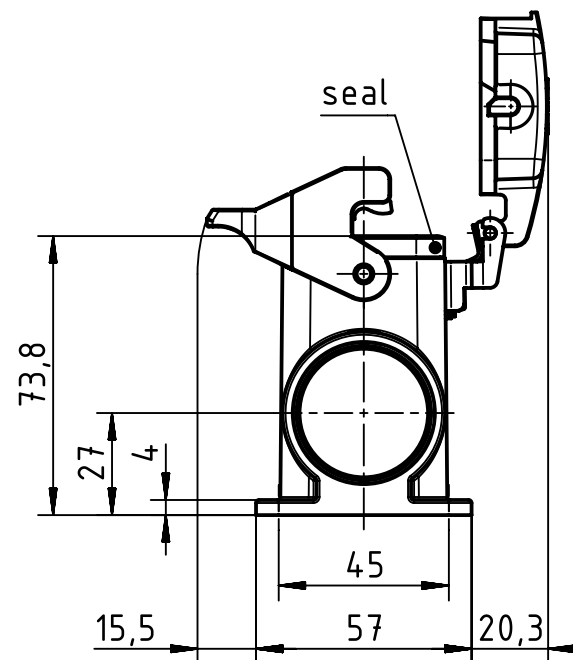
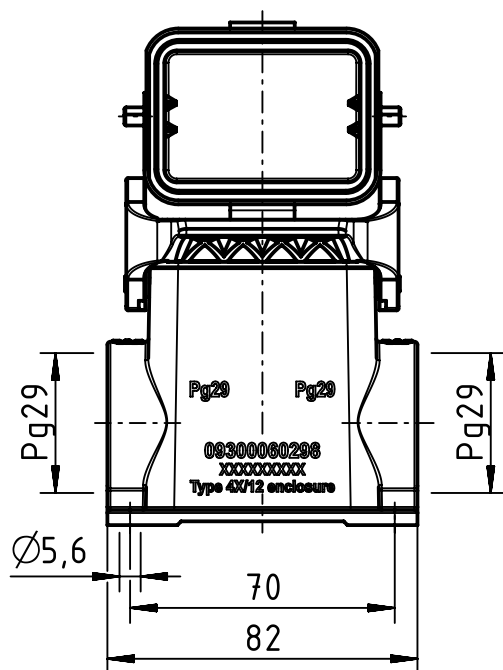


A

B

C

D



	All Dimensions in mm Original Size DIN A4		Scale 1:2	Free size tol.		Ref.
						Sub.
	All rights reserved		Created by 102700	Inspected by SUNDERMEIER	Standardisation GARSKE	Date 2020-02-17
	Department EL PD		Title Han 6 B-asg2-LB-K-29			State Final Release
HARTING Electric GmbH & Co. KG D-32339 Espelkamp			Type TB	Number 09 30 006 0298		Doc-Key / ECM-Nr. 100207227/UGD/004/C 500000166844
					Rev. C	Page 1/1