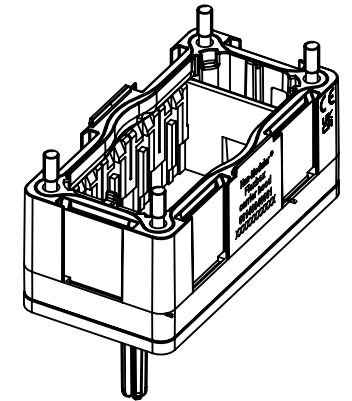
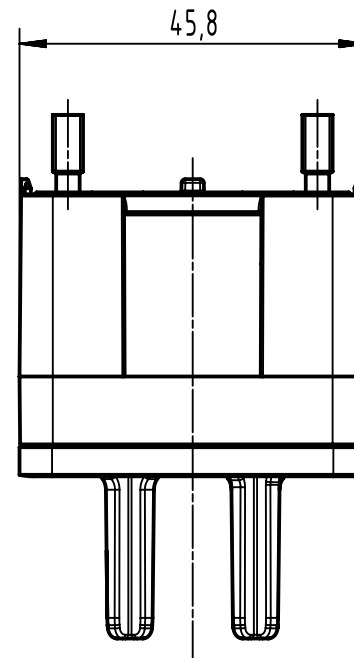
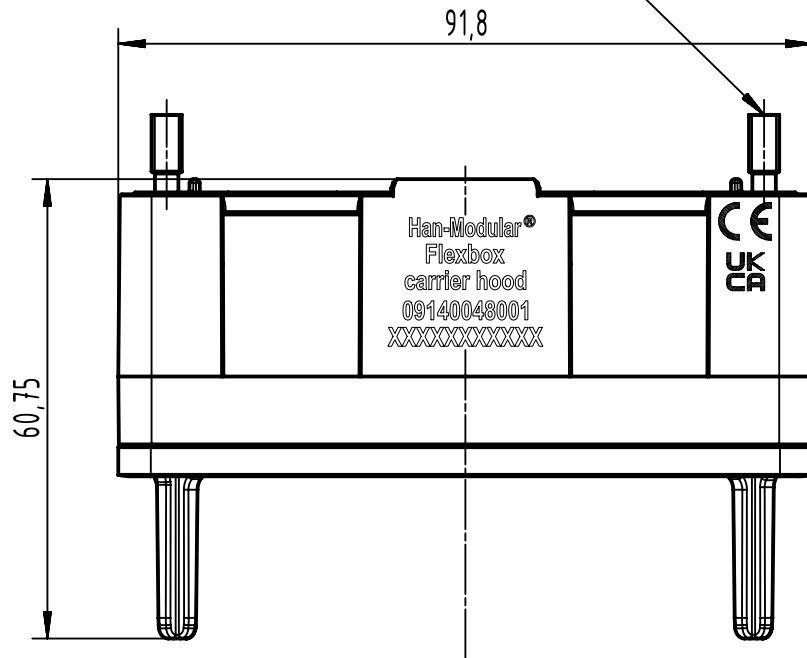
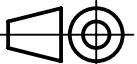



ISO 4762 M4 apply a torque of 0,8 - 1Nm



 All Dimensions in mm Original Size DIN A4	Scale	Free size tol.		Ref.	
	1:1			Sub.	
 All rights reserved Department EL PD	Created by	Inspected by	Standardisation	Date	State
	HELLMANN	SCHNIEDER		2023-07-05	Final Release
HARTING D-32339 Espelkamp	Title			Doc-Key / ECM-Nr.	
	Han-Modular Flexbox carrier hood (a..d)			100802090/UGD/001/C 500000249015	
Type		Number		Rev.	Page
TB		09 14 004 8001		C	1/1