

1 2 3 4 5 6

A

ISO 4762 M4 apply a torque of 0,8 - 1Nm

91,8

45,8

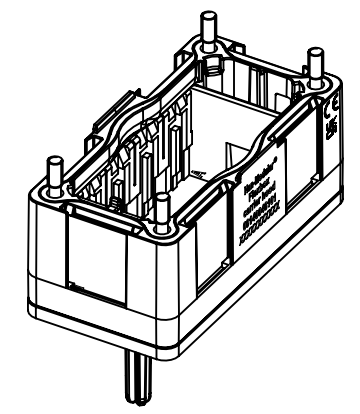
B

Han-Modular®
Flexbox
carrier hood
09140048101
XXXXXXXXXXXX



60,75

C



D

	All rights reserved Department EL PD	Created by HELLMANN	Inspected by SCHNIEDER	Standardisation	Date 2023-07-05	State Final Release	
		Title Han-Modular Flexbox carrier hood (A...D)					Doc-Key / ECM-Nr. 100826071/UGD/001/C 500000249015
HARTING D-32339 Espelkamp		Type TB	Number 09 14 004 8101			Rev. C	Page 1/1