

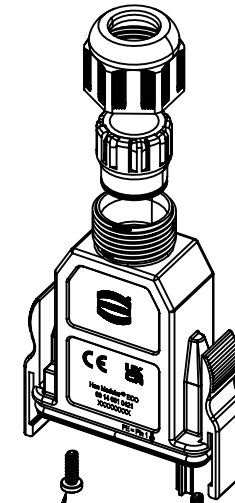
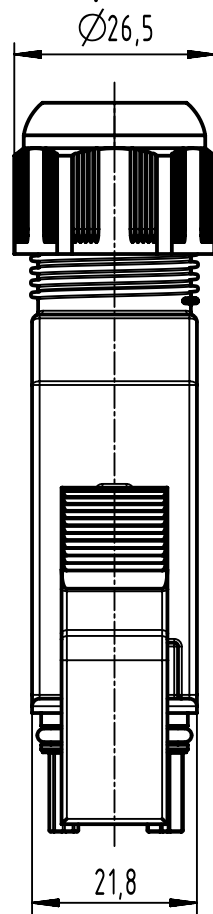
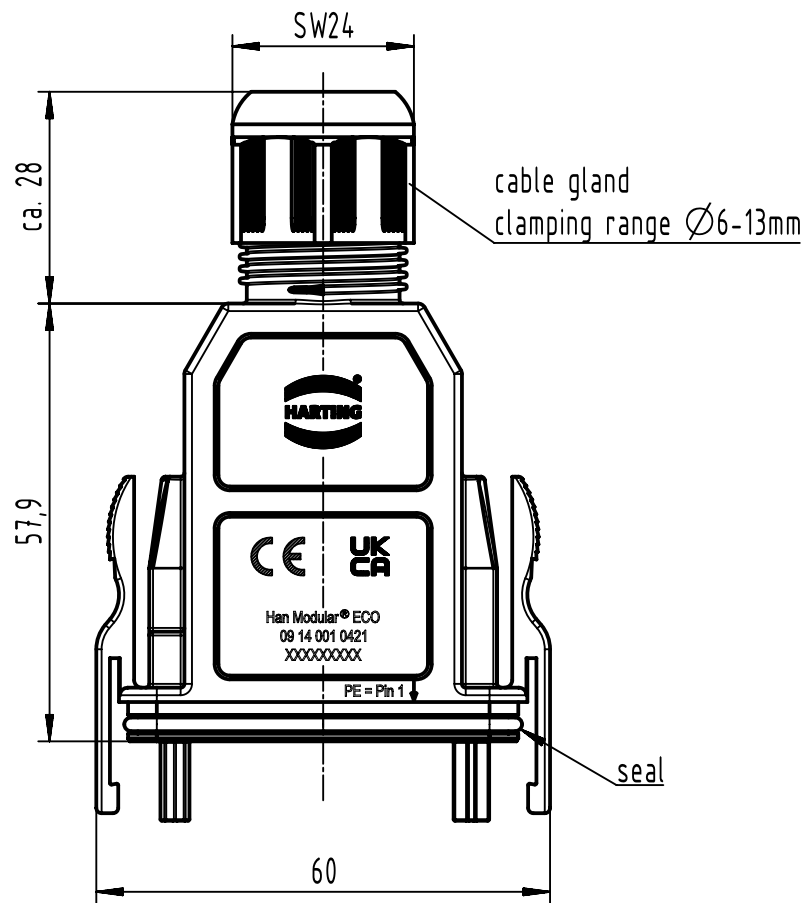
1 2 3 4 5 6

A

B

C

D



self-tapping screw ISO 7049-ST 2,9x9,5-F-H
separately enclosed

	All rights reserved Department EL PD	All Dimensions in mm Original Size DIN A4		Scale 1:1	Free size tol.	Ref. Sub. TB 09 14 001 0421 v. 08.05.09	
		Created by SPRENB	Inspected by SUNDERMEIER	Standardisation	Date 2021-10-25	State Final Release	
HARTING D-32339 Espelkamp		Title Han-Modular ECO hood IP65 (with PE mark)				Doc-Key / ECM-Nr. 100169990/UGD/008/A 500000203915	
		Type TB	Number 09 14 001 0421			Rev. A	Page 1/1