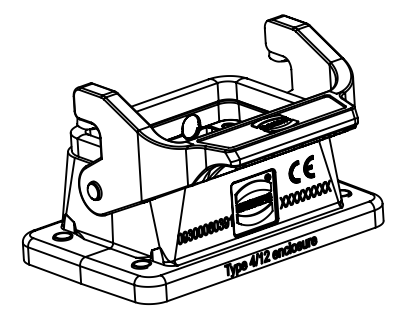
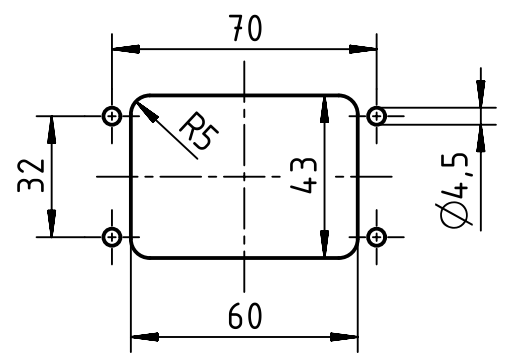


Panel cut out
(1:2)



	All Dimensions in mm Original Size DIN A4		Scale 1:1	Free size tol.		Ref.
	All rights reserved Department EL PD		Created by WENE	Inspected by LUOK	Standardisation RUETERA	Sub.
HARTING Electric GmbH & Co. KG D-32339 Espelkamp		Title Han 6B HBM Rear-Fit SL			Date 2020-05-22	State Final Release
Type TB Number 09 30 006 0391					Doc-Key / ECM-Nr. 100772846/UGD/001/C 500000173246	Rev. C Page 1/1