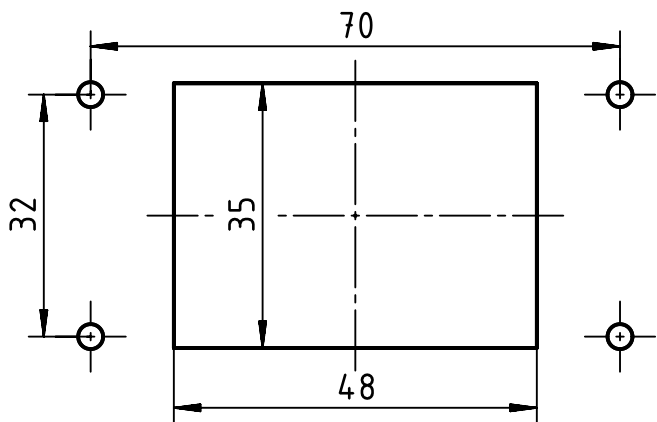
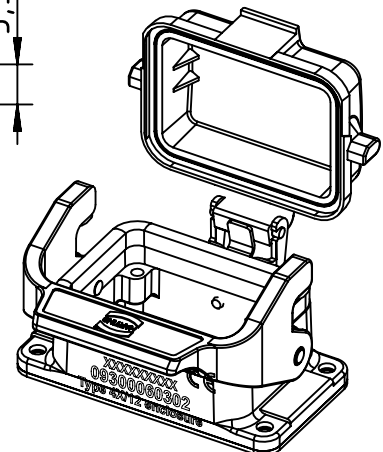
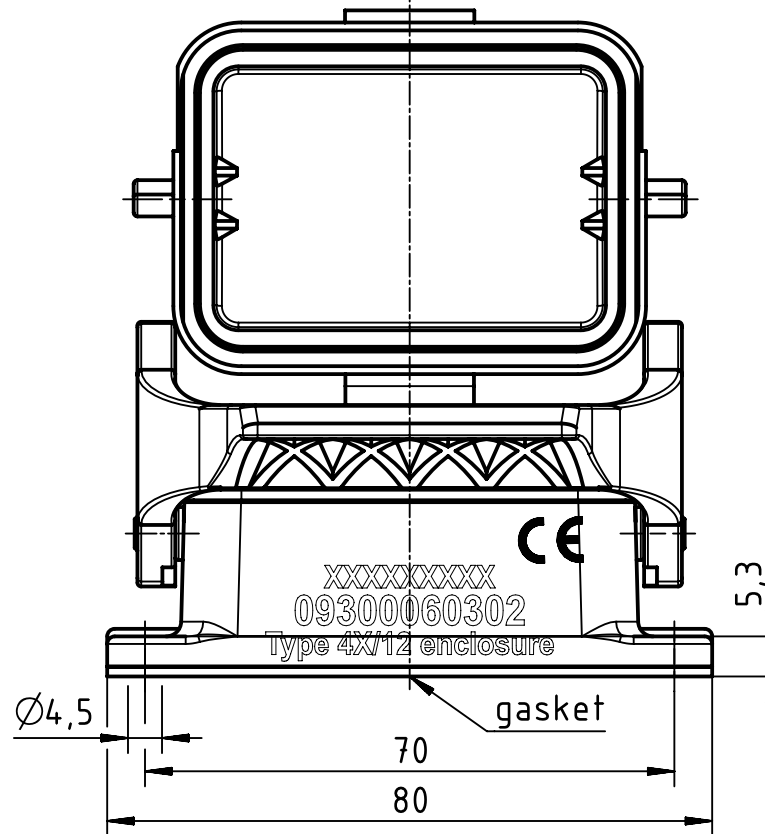


panel cut out



	All Dimensions in mm Original Size DIN A4		Scale	Free size tol.		Ref.	
	All rights reserved Department EL PD		1:1			Sub.	
HARTING Electric GmbH & Co. KG D-32339 Espelkamp		Created by	Inspected by	Standardisation	Date	State	
		SPRENB	GERB	302077	2020-11-13	Final Release	
Title Han B Base Panel 1 Lever Thermoplastic C						Doc-Key / ECM-Nr. 100180049/UGD/004/D 500000178137	
			Type	Number		Rev.	Page
			TB	09 30 006 0302		D	1/1