

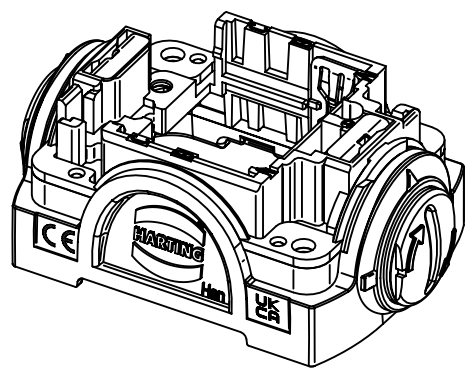
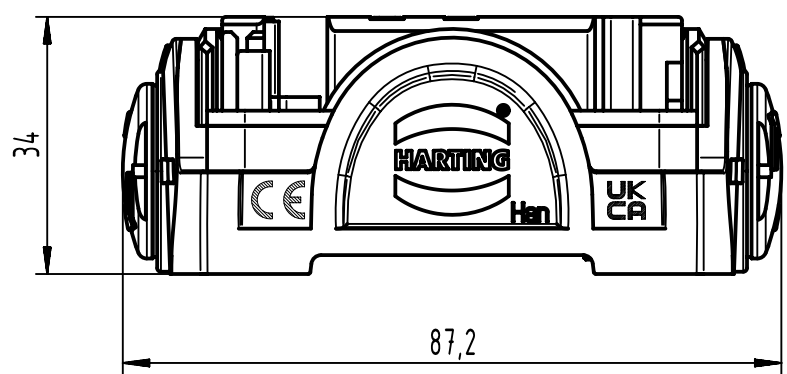
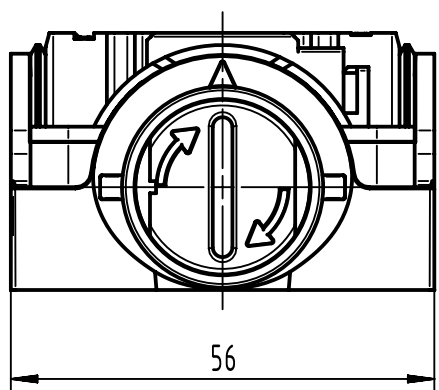
1 2 3 4 5 6

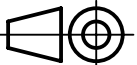

A

B

C

D



| | | | | | |
|--|---|----------------|-----------------|------------|--|
|  All Dimensions in mm Original Size DIN A4 | Scale | Free size tol. | | Ref. | |
| | 1:1 | | | Sub. | |
|  All rights reserved Department EL PD | Created by | Inspected by | Standardisation | Date | State |
| | HELLMANN | GERB | SAP_WFRT | 2022-01-05 | Final Release |
| HARTING D-32339 Espelkamp | Title | | | | Doc-Key / ECM-Nr. 100186168/UGD/005/E 500000208140 |
| | Han-Yellock 30 carrier hood button slot | | | | |
| Type | | Number | | Rev. | Page |
| TB | | 11 12 300 0110 | | E | 1/1 |